

D3, D5 & D6 series

Oil-Free - Diaphragm Pumps

Charles Austen
Pumps Ltd



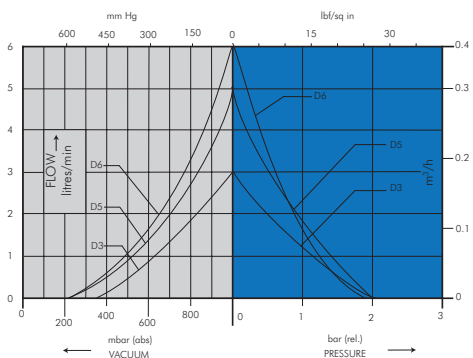
Performance

- 3 to 6 litres/min flow

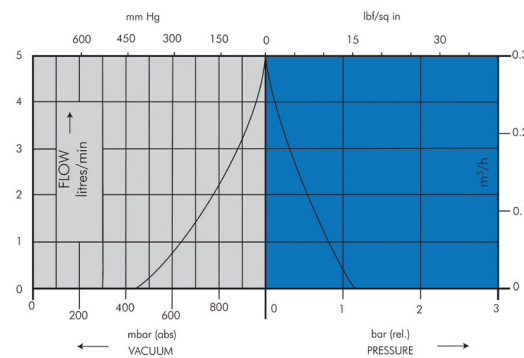


- Clean oil free vacuum and pressure source in a very quiet, low cost compact unit
- Lightweight components, slim line design and low operating current – ideal for applications where space is at a premium
- Models can be upgraded with an optional variety of materials resistant to a wide range of corrosive gases and vapours
- Optional brushless motor designed for continuous duty, low maintenance applications
- Models available for use with AC or DC supply

DC Versions



D5 AC Motor



UK Tel: +44 (0)1932 355277
Email: info@charlesausten.com
Web: www.charlesausten.com

Application Ideas

**Beverage
Dispensers**

**Environmental
Monitoring**

Gas Sampling

Tourniquets

**Instrument
Actuation
Devices**

**Wound Therapy
Devices**

**Bubble
Tubes**

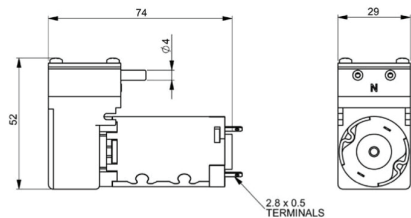
Particle Samplers

D3, D5 & D6 series

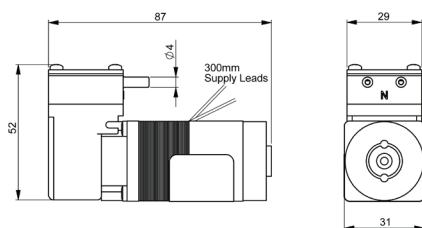
Oil-Free - Diaphragm Pumps

Dimensions

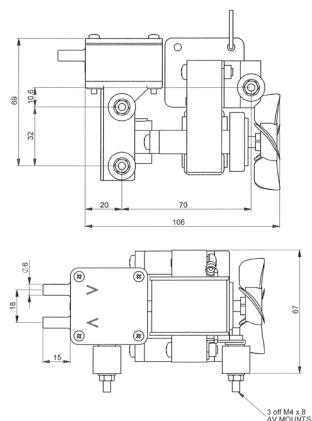
D3 150g



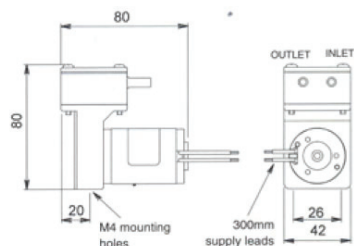
D3 BLDC 260g



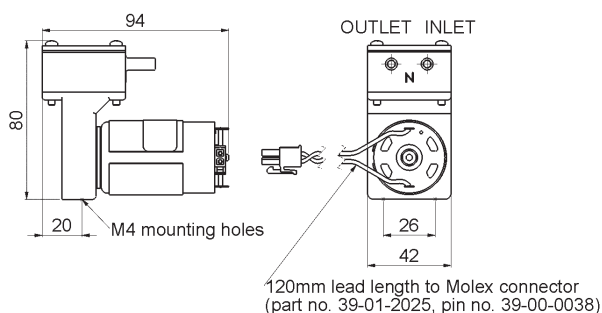
D5 (AC) 700g



D5 (DC) 300g



D6 700g



Please note - it is important that you ensure the motor specification stated and the range of materials offered in the pump are compatible with the performance, environmental limitations and chemical resistance requirements of the application.

For further information or details of our extensive range of pumps, contact our technical sales office who will be pleased to help you select the most suitable pump for your application.

Motor Type

Model no.	12V DC			24V DC		
	Operating current	Max load	Fuse rating	Operating current	Max load	Fuse rating
D3	0.5A	0.5A	1.0A	0.15A	0.25A	0.5A
D3 BLDC	0.4A	0.45A	1.0A	0.2A	0.25A	0.5A
D5 (DC)	0.7A	0.85A	2.0A	0.2A	0.4A	2.0A
D6	0.3A	0.6A	2.0A	N/A	N/A	N/A

Model no.	110/115V 50/60Hz			230V 50Hz		
	Operating current	Max load	Fuse rating	Operating current	Max load	Fuse rating
D5 (AC)	0.4A	0.6A	0.75A	0.25A	0.3A	0.5A

Performance

Model no.	Max. free flow l/min	Max. vacuum mbar (abs)	Max. Pressure bar
D3	3.0	350	1.8
D5 (DC Supply)	5.0	190	2.0
D5 (AC Supply)	5.0	480	1.1
D6	6.0	200	2.1

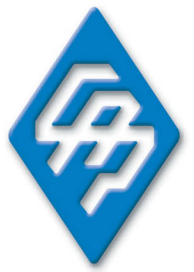
Component	Standard	Options
Head	Nylon	Polypropylene
Diaphragm	EPDM	PTFE, Viton
Valves & Gasket	EPDM	PTFE, Viton
Clamp Plate	Nylon	Stainless Steel
Screw	Stainless Steel	-
Pins	Stainless Steel	PVDF

Distributed by

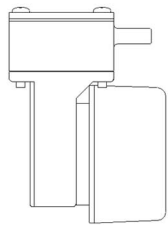
Royston Road, Byfleet, Surrey, KT14 7NY, England/UK
 Tel: +44 (0)1932 355277 Fax: +44 (0)1932 351285
 Email: info@charlesausten.com
www.charlesausten.com

Charles Austen
Pumps Ltd



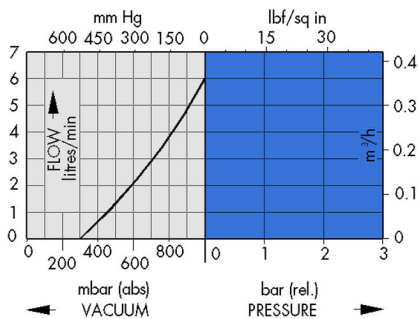


Oil-Free Diaphragm Pump



D5 BLDC
brushless motor option

D5 BLDC



D5 **Brushless DC version**

Max Flow	6.0 l/min
Max Vacuum	300 mbar abs
Max Pressure	n/a

Contamination free pumping

D5 pumps provide a clean oil-free vacuum and pressure source in a small, very clean quiet package. Suitable for continuous duty the D5 is ideal for use in medical and environmental applications.

Flexibility and reliability

These small compact pumps are designed for OEM applications where light weight and low operating current are essential requirements. The use of moulding technology to create an integral silencer and an enclosed crankcase makes this pump extremely quiet in operation. When users' needs dictate, standard performance can be increased or decreased by the use of optional components.

Corrosive resistant options

Models can be modified with an optional range of materials to ensure resistance to a range of corrosive gases.

Application ideas

Application ideas include medical equipment, vehicle emission analysers and portable gas samplers.



Technical Specifications

D5 Brushless DC version

Motor Type:

Brushless DC

model no.	12V BLDC		
	operating current	max. load	fuse rating
D5 BLDC	0.3A	0.4A	1.0A

Performance:

model no.	max. free flow l/min	max. vacuum mbar (abs)	max. pressure bar
D5 BLDC	6.0	300	n/a

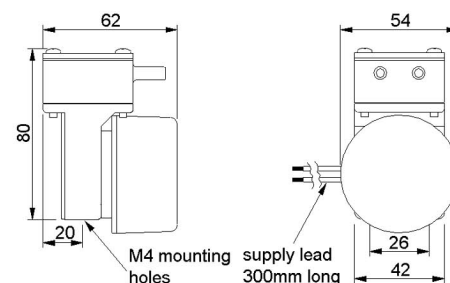
Connectors:

Integral plain 6.0mm OD

D5 BLDC 0.3kg

dimensions: mm

Sound level at 1 meter dB (A) is <55



Pump Materials:

With the option of appropriate materials for the head and flexibles, D5 pumps will handle a range of corrosive gases.

component	material
Head	Polypropylene
Diaphragm/Valves	Viton
Plates and Screws	Stainless Steel
Valve Pins	Stainless Steel

distributed by:

Please note that it is important that you ensure the motor specification stated and the range of materials offered in the pump are compatible with the performance, environmental limitations and chemical resistance of the application.

For further information or details of our extensive range of diaphragm pumps, contact our technical sales office who will be pleased to help you select the most suitable pump for your application.

S30-238