





TWISTLOC Quick-change nozzle system

Lechler TWISTLOC - nozzle changing in less than no time.

The quick-change nozzle system makes you save time and money.

Quick:

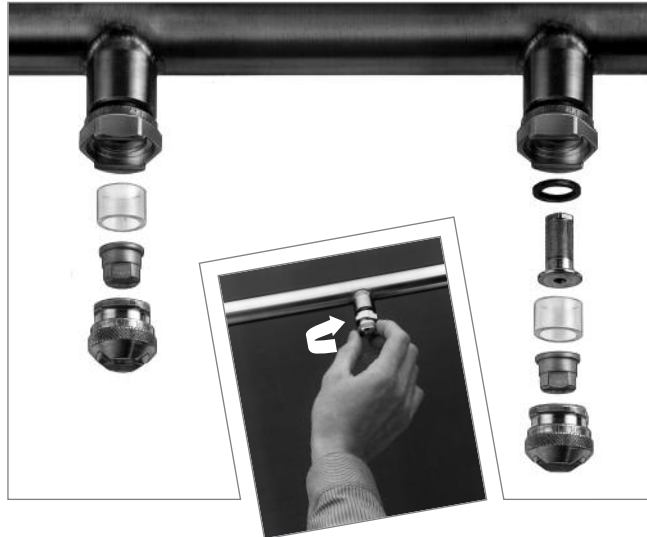
For putting in or taking out a nozzle, just give it a twist.

Easy:

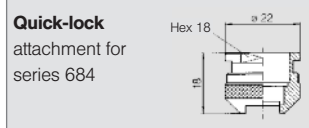
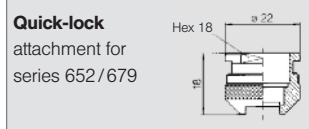
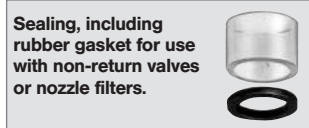
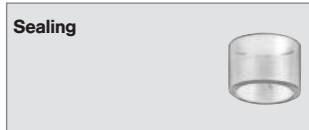
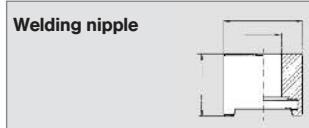
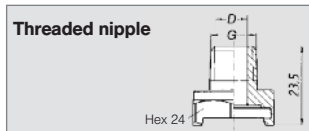
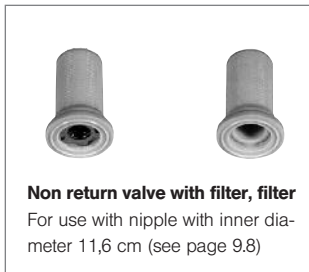
Without tool, just with one hand, even at locations hard to get at and under bad lighting conditions.

Safe:

Constant pre-setting of the nozzle to the correct direction prevents any assembling errors.



TWISTLOC flat fan nozzles
see page 4.26.

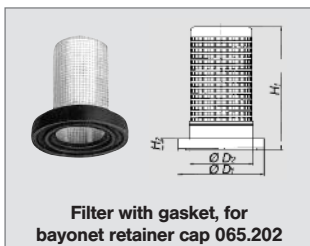
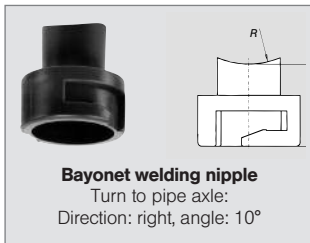
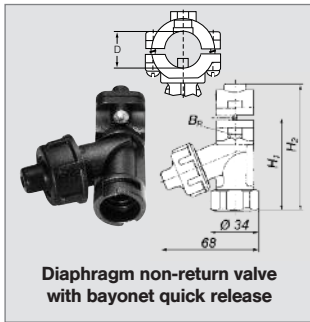
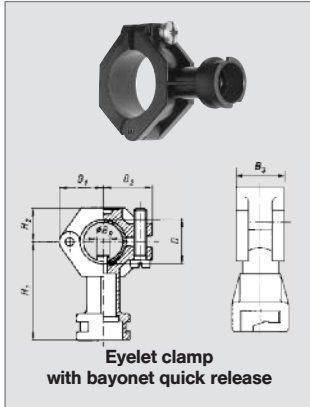


Type	Ordering no.								Inside- ø D [mm]	
	Material no.						Code			
	1C	16	30	5E	7A	7E	1/4 BSPT	3/8 BSPT		Welding connection
	1.4301	1.4305/303 SS	Brass	PVDF	Viton	Silicon				
092.102	-	○	○	-	-	-	CC	-	-	8,0
	-	○	○	-	-	-	-	CE	-	11,6
	-	-	-	○	-	-	-	CE	-	8,0
092.104	○	-	-	-	-	-	-	-	00	11,6
092.113	-	-	-	-	○	○	-	-	-	-
092.116	-	-	-	-	○	○	-	-	-	-
092.106	-	○	○	○	-	-	-	-	-	-
092.108	-	○	○	○	-	-	-	-	-	-



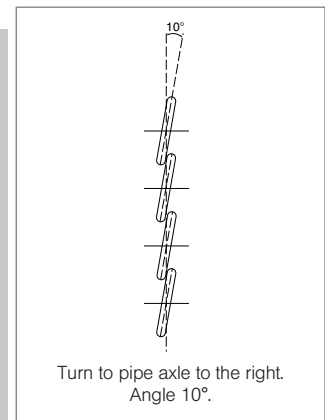
Accessories

Bayonet quick release system



For series	Ordering no.				Code	Screw (Material)	Pipe ø	D ø [mm]	Opening pressure [bar]	Closing pressure [bar]	Dimensions [mm]						Weight	
	Type	Material-no.									H ₁	H ₂	B _R Ø	B ₁	B ₂	B ₃		
		51	53	5E														56
302 Bayonet 422 Bayonet / 2TR 468/652 / 679 / 684	090. 003	○	○	○	-	KA	1,4305	1/2"	20-22,0	-	-	49,5	16,5	6,2	21,2	23,8	18,5	22g
	090. 013	○	○	○	-	KA		3/4"	25-27,5	-	-	52,5	17,5	7,8	24,5	26,5	22,0	26g
	090. 023	○	○	○	-	KA		1"	32-34,5	-	-	57,0	21,0	10,8	30,0	31,0	22,0	32g
302 Bayonet 422 Bayonet 2TR / 468 / 652 / 679 / 684	065. 272	-	-	-	○	KH	1,4305	1/2"	20-22,0	0,8	0,6	59	84	6,0				48g
	065. 272	-	-	-	○	KL		3/4"	25-27,5	0,8	0,6	66	90	9,6				53g

For series	Ordering no.	Material	Dimensions [mm]	
			L	R
302 Bayonet 422 Bayonet 2TR / 468 / 652 / 679 / 684	095. 016. 50. 08. 05	PVC	25	16
	095. 016. 53. 08. 05	PP	25	16



For nozzle size	Ordering no.		Mesh width [mm]	Colour	Dimensions [mm]				Weight
	Type	Mat.-no			H ₁	H ₂	D ₁	D ₂	
		7J							
xxx.32x-xxx.44x	065. 268	○	0,25	rot	21,5	2,5	18,0	11,0	2 g
xxx.48x-xxx.56x	065. 269	○	0,65	gelb	21,5	2,5	18,0	11,0	2 g

Example for ordering: Type + Material no. + Code = Ordering no.
090. 003 + 51 + KA = 090. 003. 51. KA

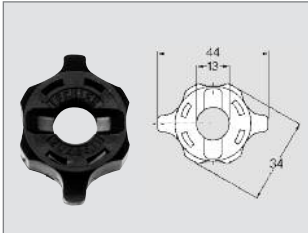
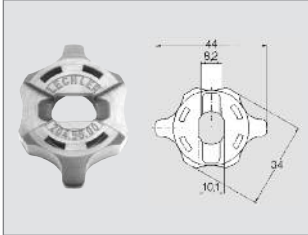




Accessories

Bayonet quick release system

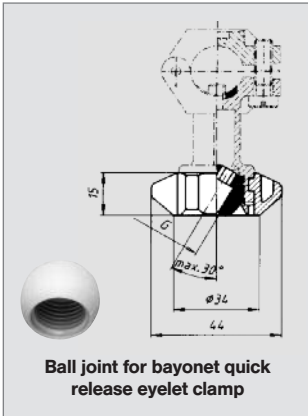
Bayonet quick release retainer caps
incl. gasket 065. 242. 73
(Material: rubber)



For series	Ordering no.			Material	Colour
	Type	Mat.-Nr.	Code		
652 / 679		065. 202. 56. 00		POM	red
		065. 202. 53. 00		Polypropylene	grey
		065. 202. 5E. 00		PVDF	blue
2TR / 468 / 684		065. 202. 56. 11		POM	black
		065. 202. 53. 11		Polypropylene	grey

Ball joint for bayonet quick release system

Inexpensive ball joint system for nozzles with 1/8" and 1/4" male thread.



For series	Ordering no.			Colour
	Type	Mat.-Nr.	Code	
For all nozzles with 1/8"- or 1/4"-male thread.		5E		blue
	092. 150	PVDF	1/8 ISO 228 1/4 ISO 228	
		AB	AD	



For series	Ordering no.			Material	Colour
	Type	Mat.-Nr.	Code		
For ball joint		092. 150. 5E. 00		PVDF	blue

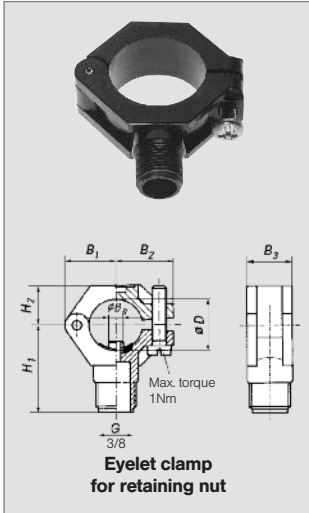
Pressure/Temperature

T	P _{max}
65 °C	10 bar
80 °C	8 bar
100 °C	4 bar

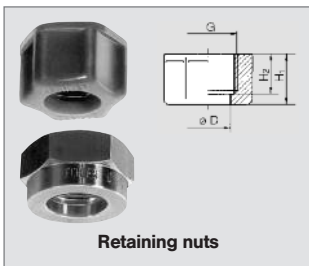
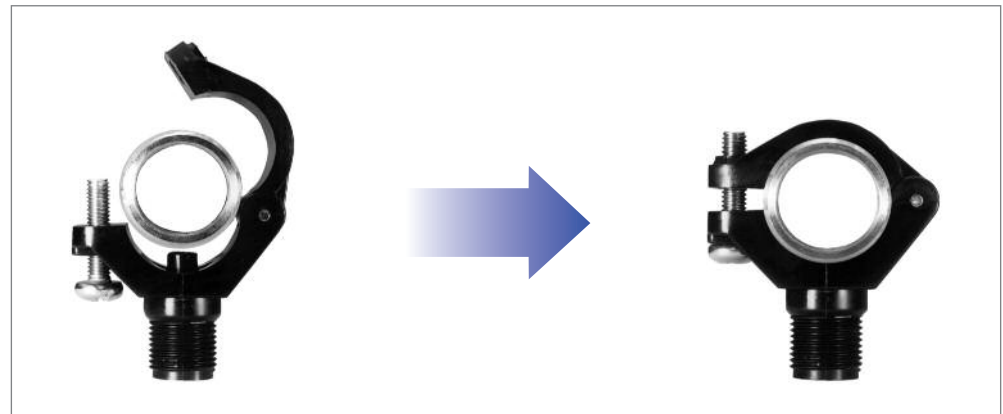


Accessories

Eyelet clamps / Retaining nuts



For series	Ordering no.					Dimensions [mm]										Weight (Polyamide)
	Type	Material-no.				Screw	BSPP	Pipe ø	D ø	BR ø	B ₁	B ₂	B ₃	H ₁	H ₂	
		51	53	5E												
2TR/216/302/468/684/652	090.053	○	○	○	Material 1,4305	3/8"	3/8"	16,5-18,0	6,2	19,0	22,0	18,5	34,5	14,5	20 g	
	090.003	○	○	○		3/8"	1/2"	20-22,0	6,2	21,2	23,8	18,5	36,5	16,5	20 g	
	090.013	○	○	○		3/8"	3/4"	25-27,5	7,8	24,5	26,5	22,0	39,5	17,5	25 g	
	090.023	○	○	○		3/8"	1"	32-34,5	10,8	30,0	31,0	22,0	44,0	21,0	32 g	
	090.033	○	○	○		3/8"	5/4"	40-43,0	12,8	34,0	35,5	25,0	48,0	25,0	38 g	



For series	Ordering no.					Dimensions [mm]					Weight (Brass)	
	Type	Material-no.				BSPP	H ₁	H ₂	D	Hex		
		16	17	30	56							5E
2TR/468/548/652/660/679/684	065.200	○	○	○	-	-	3/8"	13,0	10,0	12,8	22	25 g
	065.200	-	-	-	○	○	3/8"	14,5	11,5	12,8	22	
656/657/664/665	065.600	○	○	○	-	○	3/4"	16,0	13,0	20,1	32	60 g

For filters and non-return valves please refer to page 10.8

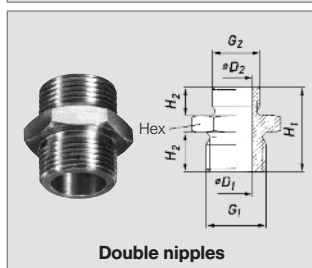
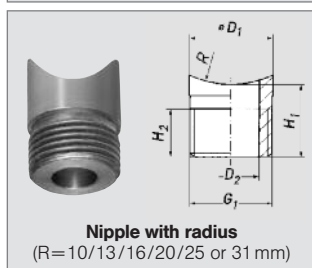
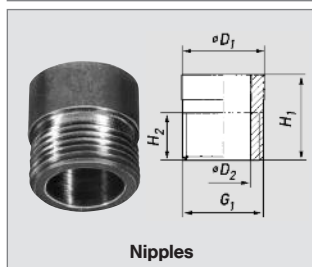
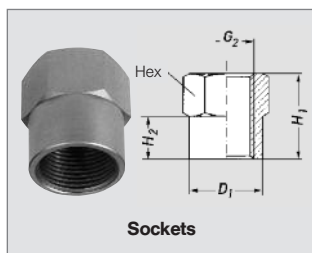
Example for ordering: Type 090.053 + Material no. 51 = Ordering no. 090.053.51





Accessories

Sockets / Nipples



For series	Ordering no.				Dimensions [mm]							Weight (Brass)	
	Type	Material-no.				G ₁	G ₂	H ₁	H ₂	D ₁	D ₂		Hex
		02	17	30	53								
422/460 688	040. 271	-	○	○	-	3/8 BSPP	20	10	21,5	-	22	25 g	
	040. 271	-	-	-	○	-	3/8 BSPP	20	10	24,5	-	22	25 g
2TR/216/302 468/684/652 679	065. 210	○	○	○	○	3/8 BSPP	-	18	10	17,2	11,5	-	20 g
	065. 610	○	○	-	○	3/4 BSPP	-	27	14	28	18	-	61 g
2TR/216/302/468 652/679/684	065. 217. xx. yy*	-	○	-	-	3/8 BSPP	-	18	10	17,2	11,5	-	20 g
	065. 215 ¹⁾	-	○	○	-	3/8 BSPP	1/4 BSPP	25	10	10	7	22	30 g
216/302/468 652/679/684	065. 211	-	○	○	-	3/8 BSPP	3/8 BSPP	25	10	11,5	-	22	25 g
	065. 611	-	○	○	-	G _{3/4} A	G _{3/4} A	35	14	18	-	32	90 g

* Replace **xx** by material no. and **yy** by radius R

¹⁾ Not to be used with non return valve or filter.

For retaining nuts please refer to page 10.5

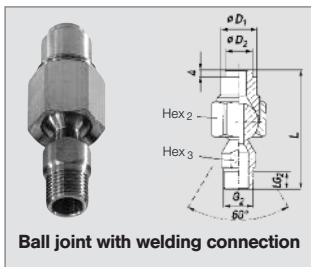
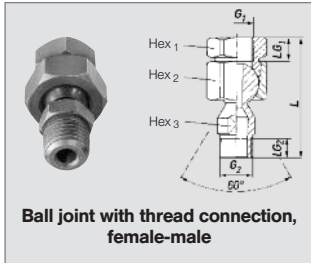
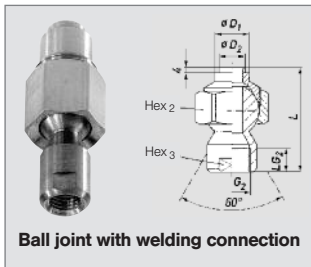
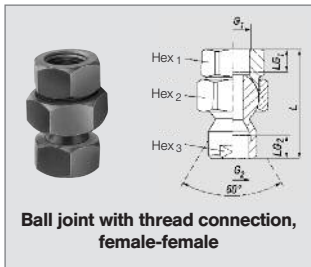




Accessories

Ball joints

Allround swivelling action of 30°.
 No sealings, no wear.
 Long service life even after many adjustments.
 P_{max}: 25 bar.



For series	Ordering no.				Dimensions [mm]										Weight (Brass)	
	Type	Material no.			Code	D ₁	D ₂	G ₁	G ₂	L _{G1}	L _{G2}	L	Hex ₁	Hex ₂		Hex ₃
		16	16	30												
422/460/544/612 632/686/688	092.020	-	●	●	AD	-	-	1/4 BSPP	1/4 BSPP	12,0	11,5	60,3	27	27	17	60 g
	092.021	-	○	○	AF	-	-	3/8 BSPP	1/4 BSPP	12,0	11,5	58,3	27	27	17	80 g
	092.030	-	●	●	AF	-	-	3/8 BSPP	3/8 BSPP	12,0	12,0	56,7	27	30	19	80 g
422/460/544/612 632/686/688	092.020	○	-	-	SD	20,0	15,0	-	1/4 BSPP	-	11,5	64,3	-	27	17	60 g
	092.030	○	-	-	SF	22,0	15,0	-	3/8 BSPP	-	12,0	58,7	-	30	19	80 g
2TR/216/302/468 652/679/684	092.022	-	●	●	AD	-	-	1/4 BSPP	3/8 BSPP	12,0	10,0	63,8	27	27	17	80 g
	092.022	-	○	○	AF	-	-	3/8 BSPP	3/8 BSPP	12,0	10,0	61,8	27	27	17	85 g
2TR/216/302/468 652/679/684	092.022	○	-	-	SE	20,0	15,0	-	3/8 BSPP	-	10,0	67,8	-	27	17	80 g

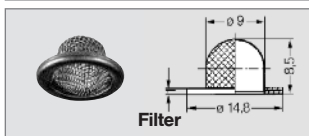
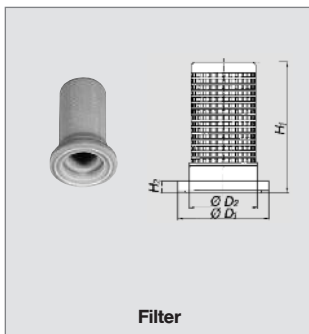
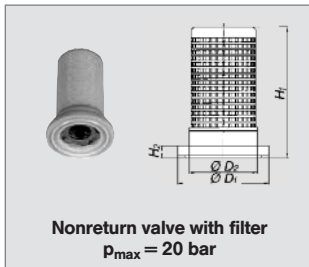
Example Type + Material no. + Code = Ordering no.
 for ordering: 092.020 + 16 + AD = 092.020.16.AD





Accessories

Nonreturn valves / filters



For nozzle size	Ordering no.		Colour	Opening pressure [bar]	Closing pressure [bar]	Mesh size [mm]	Dimensions [mm]				Weight	
	Type	Mat.-no					H ₁	H ₂	D ₁	D ₂		
		56										26
		POM	Monel/Copper									
xxx.32x- xxx.44x	065.265	○	–	red	0,5–1,0	0,4–0,9	0,25	21,5	2,0	14,8	11,0	2 g
	Ball 1.4034 Spring 1.4310											
xxx.48x- xxx.56x	065.266	○	–	yellow	0,4-0,5	0,4–0,9	0,35-0,45	21,5	2,0	14,8	11,0	2 g
	Ball 1.4034 Spring 1.4310											
xxx.32x- xxx.44x	065.257	○	–	red	–	–	0,25	21,5	2,0	14,8	11,0	2 g
xxx.48x- xxx.56x	065.256	○	–	yellow	–	–	0,65	21,5	2,0	14,8	11,0	2 g
xxx.32x- xxx.44x	065.252	–	○	–	–	–	0,50	8,5	1,0	14,8	9,0	1 g



Accessories

Gaskets / Teflon sealing tape



For series	For nozzle size	Ordering-no.				Dimensions [mm]	Weight ca.	
		Type	Material no.					
			55 PTFE	71 Cu. ISOPL 750	72 EWP 210			73 Soft rubber
610	1/8 BSPP	061. 040	-	-	○	-	ø 10 x ø 14 x 1	0,13 g
212/612	1/4 BSPP	061. 240	○*	○*	○	-	ø 13,2 x ø 17 x 1(*2)	0,20 g
460/461 616/617 689	3/4 BSPP	061. 640	-	○*	○	-	ø 26,5 x ø 32 x 1(*2,5)	0,50 g
461	1 1/4 BSPP	062. 140	-	-	○	-	ø 42 x ø 50 x 1	1,20 g
461	2 BSPP	062. 540	-	-	○	-	ø 60 x ø 70 x 2	3,92 g
216/302 468/652 679/684	retaining- nut 3/8"	065. 240	○	-	○	○	ø 11 x ø 15 x 1	0,14 g
656/657	retaining- nut 3/4"	065. 640	-	-	○	-	ø 18 x ø 24 x 1	0,50 g

Teflon sealing tape for connecting cylindrical female threads and conical male threads.	Ordering-no. 095. 009. 55. 09. 30.0	Dimensions: 12 mm x 0,1 mm x 12 m
---	--	--------------------------------------

Example for ordering: Type + Material no. = Ordering no.
 061. 240 + 55 = 061. 240. 55