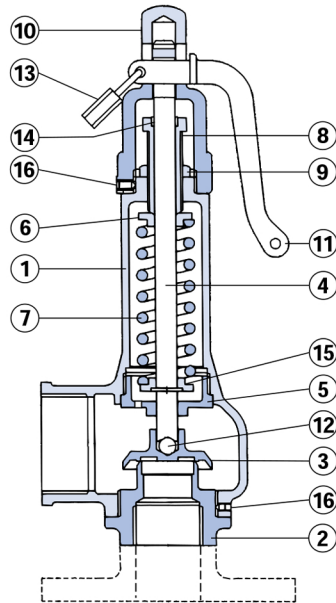


BAILEY 716 SAFETY RELIEF VALVE

PARTS



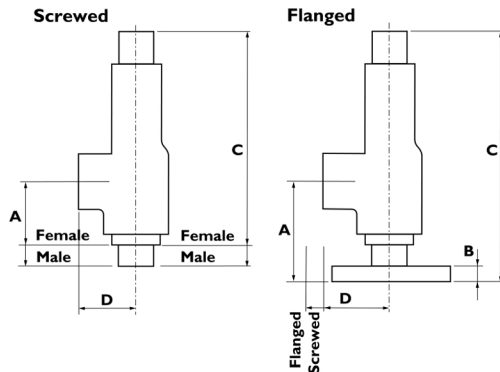
ITEM	PART	MATERIAL	
		St.St.	Bronze
1	Body	St.St	Bronze
2	Seat	St.St	Bronze
3*	Disc	Various	Various
4	Spindle	St.St	Brass
5	Guide	Nickel alloy	Bronze
6	Top Spring Cap	St.St	Brass
7*	Spring	St.St	Chrome vanadium
8	Adjusting Screw	St.St	Brass
9	Lock Nut	St.St	Brass
10†	Dome	St.St	Nylon
11	Lever	N/A	Brass
12*	Ball	Monel	St.St
13	Padlock	N/A	Brass
14	Bush	PTFE	PTFE
15	Bottom Spring Cap	St.St	Brass
16	Pinning Screw	St.St	Brass

Note:

* Recommended spares; available from Safety Systems UK Ltd.

† Synthetic dome should not be adjacent to external heat sources. Recommended inspection every 12 months.

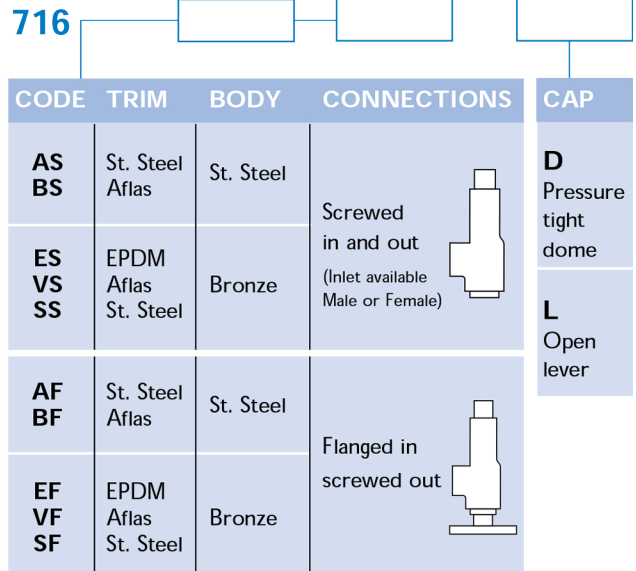
DIMENSIONS



	Valve Type	Valve Size	Inlet	Outlet	A	B	'C' Dome	'C' Lever	D	Weight (kg)
Male x Female	DN15	1/2"	3/4"	58	-	173	192.5	40	1.0	
	DN20	3/4"	1 1/4"	63	-	229	252	55	1.6	
	DN25	1"	1 1/2"	70	-	257	280	60	2.1	
	DN32	1 1/4"	2"	80	-	318.5	351	70	4.0	
	DN40	1 1/2"	2 1/2"	91	-	366.5	405.5	81	7.0	
	DN50	2"	3"	110	-	414.5	456.5	96	10.0	
Female x Female	DN15	1/2"	3/4"	40	-	158	178	40	1.0	
	DN20	3/4"	1 1/4"	44	-	209	232	55	1.6	
	DN25	1"	1 1/2"	48	-	235	258	60	2.1	
	DN32	1 1/4"	2"	58	-	295	328	70	4.0	
	DN40	1 1/2"	2 1/2"	67	-	340	380	81	7.0	
	DN50	2"	3"	80	-	382	424	96	10.0	
Flange x Female	DN20	3/4"	1 1/4"	75	10	242	265	55	2.5	
	DN25	1"	1 1/2"	75	11	261	284	60	3.2	
	DN32	1 1/4"	2"	95	12.7	332	365	70	5.7	
	DN40	1 1/2"	2 1/2"	105	12.7	379	418	81	9.0	
	DN50	2"	3"	120	12.7	422	464	96	12.5	

All dimensions in mm

FIGURE NUMBERING



Flowstar (UK) Ltd

Tel: 01482 601030

Email: hull@flowstar.co.uk

Web: www.flowstarvalveshop.com