

Basic Specification

Installation : Side & Top
 Ambient Temp. : -20 ~ +60°C
 Fluid Temp. : Max. 80°C
 Operating Pressure : ATM
 S/W Type : Micro Switch
 Contact Form : SPDT
 Power Source : AC 110V or 220V
 Enclosure : Weather-Proof
 Applications : Solid
 Length : 300mm



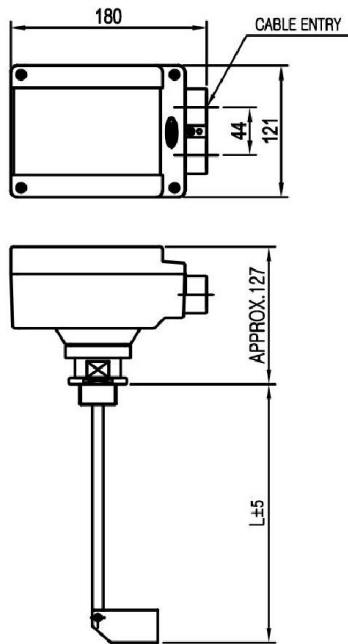
Always The Best Solution
HITROL CO., LTD.



HLV-300 SUS304

* TEL : 031)950-9700
 * FAX : 031)950-0878, 031)943-5600
 * HEAD OFFICE, FACTORY, R&D INSTITUTE :
 141, PALHAKGOL-GIL, JORI-EUP,
 PAJU-SI, GYEONGGI-DO, KOREA

Dimensions(mm)



Process Connection & Material

F1 : PF 1" Screw, CS
 FJ : PF 1" Screw, 304
 ZZ : more...

Housing ; Cable Entry

AQ : AL. ; PF 3/4"(F), IP54

Power Supply / Output

AU : AC 110V, SPDT
 AV : AC 220V, SPDT

Length

AN : ~300mm
 AP : ~400mm
 AC : ~500mm
 AQ : ~600mm

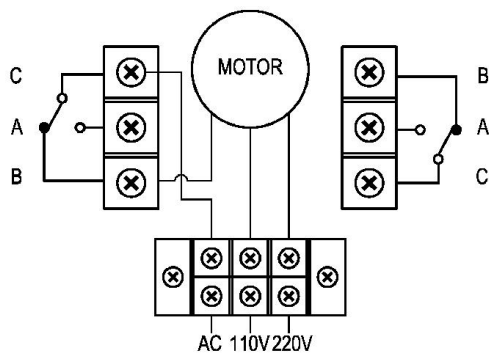
Cable Entry(Adaptor) Option

AA : PF 1/2"(F)
 AB : NPT 1/2"(F)
 AC : NPT 3/4"(F)
 AD : PT 1/2"(F)
 AE : PT 3/4"(F)
 AN : M20 x1.5

Additional Option

AZ : Foldable Paddle 1" (W150 x L24)
 BI : Foldable Paddle 2"~ (W150 x L40)

Electrical connection



Call HITROL

AF : Special(Customize)