



GREYSTONE ENERGY SYSTEMS INC

CURRENT SENSOR CS-675 Series

The CS-675 Series current sensors monitor line current for electrical loads such as pumps, conveyors, machine tools, or fans and output an analog signal to represent the load current. The CS-675 is loop-powered and requires 15 to 30 Vdc to power the device

The CS-675 series features True RMS current measurement suitable to measure complex waveforms such as those found in VFD controlled loads. They are also suitable for accurate measurement of phase angled controlled or time proportional SCR controlled load currents. The CS-675 Series contain a precision RMS-to-DC converter circuit which will measure load current accurately for complex, distorted or noisy waveforms as opposed to "average reading" devices that will only accurately measure pure sine waveforms

SPECIFICATION:

- Measurement Range:.....**CS-675-2:** 0-2 Amps
CS-675-5: 0-5 Amps
CS-675-R1: 0-10/20/50 Amps
CS-675-R2: 0-50/100/150 Amps
CS-675-200: 0-200 Amps
- Maximum Input Current:....**CS-675-2:** 10 Amps continuous
CS-675-5: 15 Amps continuous
CS-675-R1: 3x range continuous
CS-675-R2: 2x range continuous
CS-675-200: 250 Amps continuous
- Accuracy:.....**CS-675-R1/R2:** ± 2% FSO
(5-100% of range)
CS-675-2, 5 & 200: ± 1% FSO
(5-100% of range)
- Signal Output:.....4-20 mA
- Sensor Power:.....15 to 30 vdc (loop-powered)
- Insulation Class:.....600 Vac, insulated conductors
- Frequency:.....20 - 400 Hz
- Response Time:.....500 mS Typical, 0-90 %
- Output Load:.....250 Ω typical
- Maximum Load:.....>600 Ω @ 24 Vdc
- Operating Temperature:.....-15 to 60 °C (5 to 140 °F)
- Operating Humidity:.....5 to 90% RH non-condensing
- Terminal Block:.....14 to 22 AWG
- Dimensions:.....67 x 68.6 x 24.1 mm
(2.65 x 2.7 x 0.95 in)
- Sensor Aperture:.....20.3 mm (0.8 in)
- Enclosure Material:.....ABS/PC, UL94 V-0
- Agency Approvals:.....cULus Listed



PART NUMBER SELECTED

PRODUCT SELECTION INFORMATION:

MODEL	Product Description
CS-675	Solid-core Current Sensor, 4-20 mA Output

CODE	Sensing Range	Maximum Input
2	0-2 Amps	10 Amps Continuous
5	0-5 Amps	15 Amps Continuous
R1	0-10/20/50 Amps - Jumper Selectable	3x Range Continuous
R2	0-50/100/150 Amps - Jumper Selectable	2x Range continuous
200	0-200 Amps	250 Amps Continuous

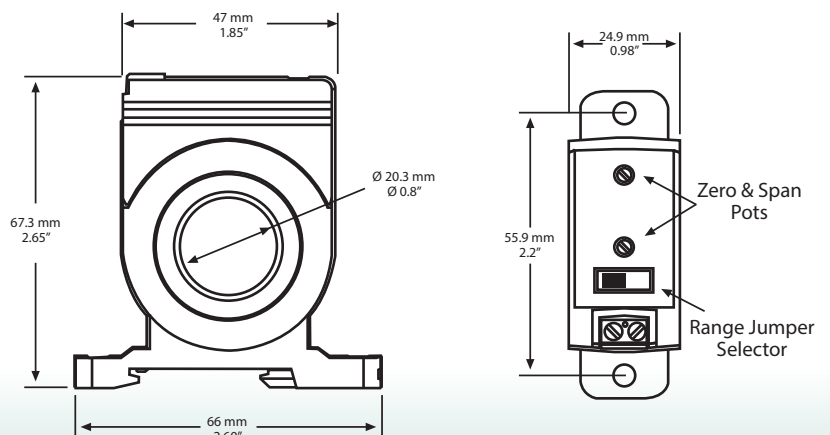
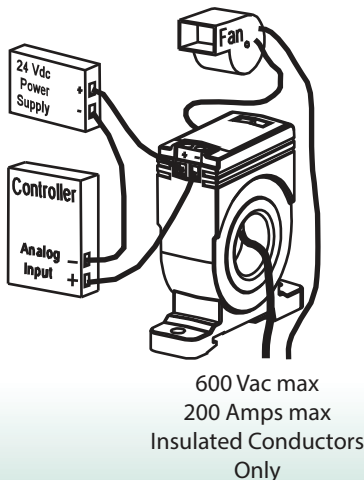
Greystone Energy Systems, Inc. reserves the right to make design modifications without prior notice.

TYPICAL INSTALLATION:

For complete installation and wiring details, please refer to the product installation instructions.

The CS-675 series must be mounted in an electrical enclosure and has an integral mounting tab to allow either screw mount to a surface or spring mount to a DIN rail.

The CS-675 series has a 2 wire connection to the Building Automation System.



Greystone Energy Systems, Inc. (506) 853-3057 Fax: (506) 853-6014
 150 English Drive, Moncton, North America: 1-800-561-5611
 New Brunswick, Canada E1E 4G7 e-mail: mail@greystoneenergy.com
 www.greystoneenergy.com

