

1 2 3 4 5 6

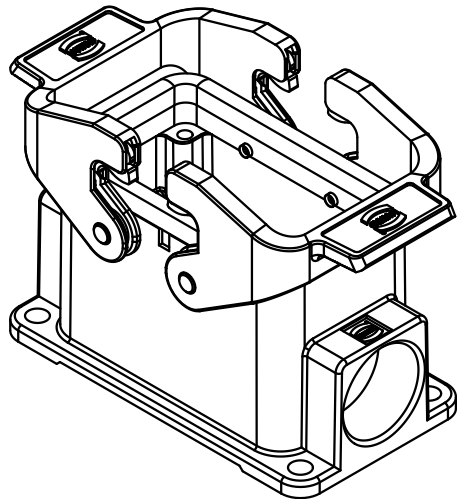
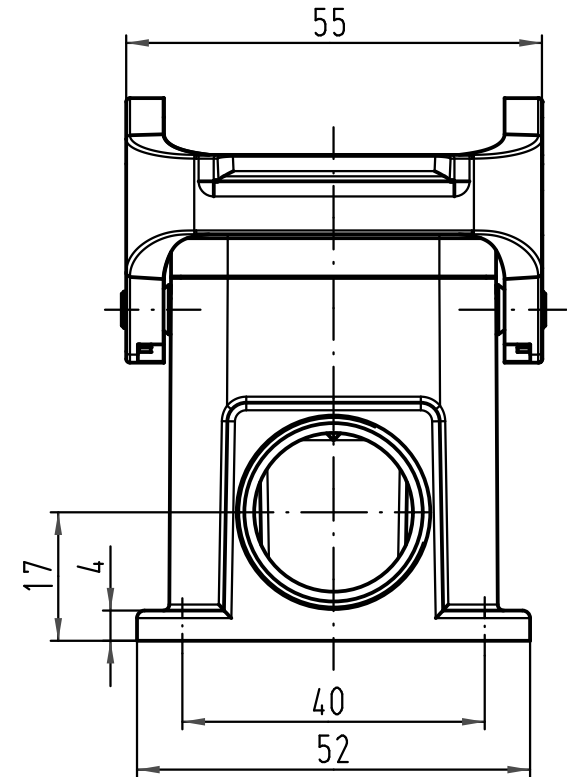
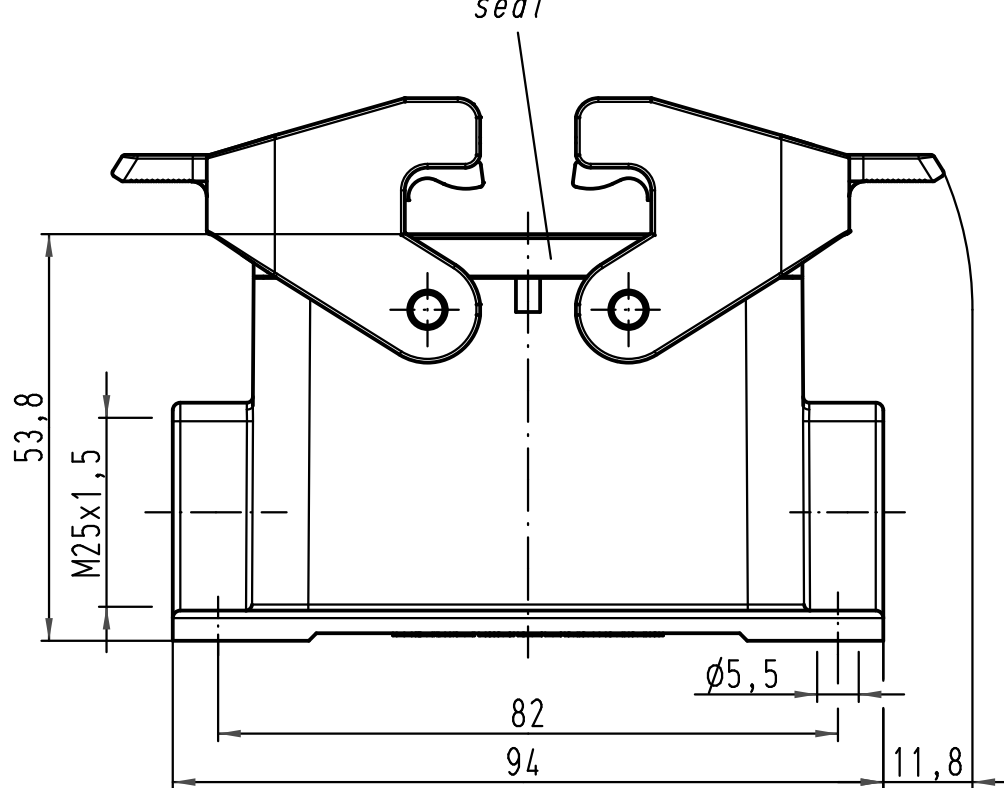
A

B

C

D

Dichtung/  
seal



|   |      |   |          |      |  |  |
|---|------|---|----------|------|--|--|
| All Dimensions in mm<br>Original Size DIN A 4 |      | Techn. Character.                                   |          |      | Nicht tolerierte Maße/Free size tolerances |  |
|   |      |   | Dat.     | Name | Maßstab/Scale<br><b>1:1</b>                | <b>Han 10B-asg1-QB-M25</b><br>Sockelgehäuse/<br>housing surface mounting |
|   |      | Detail.   | 30.04.09 | Ho   |  |  |
|   |      | Insp.   |          | Be   |  |  |
|   |      | Stand.  |          |      |  |  |
| A   |      | HARTING Electric GmbH & Co. KG<br>D-32339 Espelkamp |          |      |  | <b>TB 19 30 010 1231</b><br>Sub. TB 19 30 010 1231 v. 13.08.07           |
| Mod.  | Dat. | Name  |          |      |  |  |