



# DOSATRON®

WATER POWERED DOSING TECHNOLOGY

# 8 m<sup>3</sup>/h

## RANGE D 8



### SPECIFICATIONS

- Injection Range:
    - 0.2 - 5 %\*
    - [1 : 500 - 1 : 20]
  - Water flow range\*\* :
    - 500 l/h - 8 m<sup>3</sup>/h
    - [8.33 l/mn - 133.3 l/mn]
    - [2.2 US GPM - 40 US GPM]
  - Operating pressure:
    - 0.15 - 8 bar
    - [2 PSI - 110 PSI]
  - Concentrated additive injection:
    - 1 l/h - 400 l/h\*
    - [0.56 US Fl oz/min - 0.70 US GPM]
- \* Depending on model (see on the back)  
 \*\*For operating unit with other fluids than water, please contact us

### A unique technology associating all dosing functions

**Dosing Technique:**  
Non-electric proportional

**Energy Source:**  
Water flow and pressure

**Integrated functions:**

- **Metering:** volumetric hydraulic motor
- **Injecting:** continuous proportional injection of liquid or soluble concentrate
- **Regulating:** proportionality servo-controlled by the water flow
- **Mixing:** integrated mixing

**Package contents:**  
1 Dosatron, 1 wall bracket,  
1 Suction tube, 1 Owner's manual.



**DOSATRON 8 m<sup>3</sup>/h ± 1 - 5 %**

Injection range: 0.2 - 5 %  
 Water flow range: 500 l/h - 8 m<sup>3</sup>/h  
 Operating pressure: 0.15 - 8 bar  
 Concentrated additive injection: 1 l/h - 400 l/h

CE

# RANGE D 8

## Operating principle

Installed directly in the water supply line, the Dosatron operates by using the flow of water as the power source. The water activates the Dosatron, which takes up the required percentage of concentrate directly from the container and injects it into the water. Inside the Dosatron, the concentrate is mixed with the water, and the water pressure forces the solution downstream. The dose of concentrate will be directly proportional to the volume of water entering the Dosatron, regardless of variations in flow or pressure, which may occur in the main line.



## Specifications

General	
- Maximum operating water temperature	40° C [104° F]
- Minimum operating water temperature	5° C [41° F]
- Dosing rate	i.e. Adjustment at 1 % = 1 : 100 = 1 V concentrate into 100 V water
- Average dosing accuracy*	± 5 %
- Repeatability	± 3 % (API standard)
- Pressure loss*	0.2 -1.7 Bar [2.9 - 24.65 PSI]
Other integrated functions	
- Internal motor filter	no
- Inlet/Outlet	1" 1/2 M : BSP- NPT Ø 40 x 49 mm
- Built-in by-pass	option
- Built-in airbleeder	yes
- Built-in anti-siphon device	yes
Motor	
- Motor	differential hydraulic piston
- Motor capacity	1.7 L [0.449 US gallons] (1 cycle)
- Mixing chamber	integrated
Dosage	
- Injection	internal at the outlet
- Dosing plunger	simple action, injection on the upstream
- Injection check valve	spring-loaded with seal
Suction	
- Self-priming	yes
- Maximum viscosity of concentrate*	400 cSt at 20°C [68°F] - V kit recommended from 200 cSt - Please contact us
- Maximum vertical or horizontal suction of the concentrate	4 m [13ft]
- Strainer	yes - foot strainer with weight

\*Depending on models and operating conditions (charts on demand).

## Markets

Environment – Hygiene – Water treatment – Vehicle wash – Metal processing – Food processing – Graphic Arts – Horticulture – Livestock...

## Principal applications :

Medication – Disinfecting – Cleaning – Fertigation – Phytosanitation – Supplementation – Lubrication – PH/TH Correction – Sanitation – Flocculation – Vehicle wash...

## Installation

**Regulations:** Refer to local water regulations, prior to installing your Dosatron.

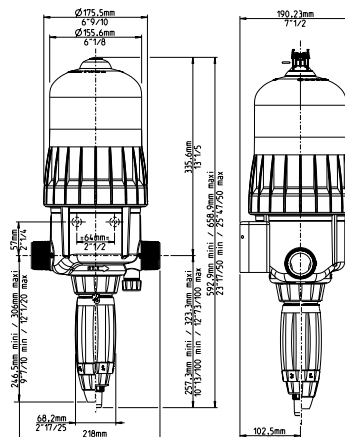
**To optimize your Dosatron, we advise to:**

- Install a filter (300 mesh [60 microns]) upstream, depending on your water quality.
- Change the dosing seals once a year.
- Rinse as often as possible with clear water.
- Turn off the water supply and allow the pressure to drop to zero before adjusting the injection rate.
- Install necessary protections for excess flow, excess pressure and water hammer (anti-hammer flow/pressure device).
- Install your Dosatron on a total by-pass line.

**For all other installation advice, please consult us.**

## Size:

- Package size : 67 x 22.5 x 20.5 cm [26"3/8 x 8"7/8 x 8"1/16]
- Package weight: ~ 5.5 kg [~ 12.15 US lbs]



## Standard material

Housing: Special polypropylene, HT  
 Motor piston: polyurethane, nylon, EPDM, polyacetal  
 Injection area: polypropylene, polyethylene, hastelloy (check valve spring)  
 Injection hose: PVC or polyethylene

## Available options

(■ : Option ● : standard  
 ★ : not available for this model)

### Optimized compatibility

- AF: Recommended seals for alkaline concentrate
- VF: Recommended seals for acids, oils, odour- or pest control concentrates
- K: for highly concentrated acids (> 15 %)
- ★ PVDF: Housing
- ★ H : Hastelloy plunger rod (not needed for this model)
- ★ IE: External injection
- ★ V: Kit for viscous concentrate
- Injection hose: Special material hose and foot strainer available

### Optimized installation

- BP: by-pass
- ★ Other fittings
- ★ Strap
- Support legs
- Other: please contact us

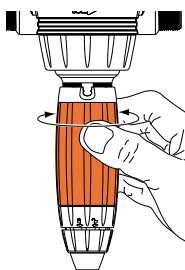


4 legs + 1 dosing unit support.

**These options allow adapting your Dosatron to your needs. Contact our technical service to help determine what option you may need.**

Each Dosatron unit is factory tested and registered.

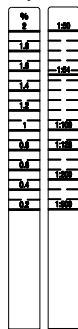
## Proportional injection externally adjustable



The injection rate is set by lining down the top of the adjusting sleeve with the desired ratio on the scale.

The amount of injected concentrate is proportional to the amount of water coming into the Dosatron:

i.e. Adjustment at 1% = 1 : 100 = 1 Volume of concentrate into 100 Volumes of water.



## The 8 m³/h range

REF.	DOSAGE	PRESSURE
<b>ADJUSTABLE</b>		
D 8 RE 2	0.2 - 2 %	0.15 - 8 bar
D 8 RE 5	1 - 5 %	0.15 - 8 bar
D 8 GL 2	0.2 - 2 %	0.15 - 8 bar

Other product lines available to treat water flows up to 0.7 m³/h, 2.5 m³/h, 4.5 m³/h, 20 m³/h, 30 m³/h, 60 m³/h,....

For special models, accessories and particular systems: please consult us.

## DOSATRON INTERNATIONAL S.A.S.

Rue Pascal - B.P. 6 - 33370 TRESSES (BORDEAUX) - FRANCE  
 Tel. 33 (0)5 57 97 11 11 - Fax. 33 (0)5 57 97 11 29 / 33 (0)5 57 97 10 85  
 e.mail : info@dosatron.com - http://www.dosatron.com

CUSTOMER SERVICE - SERVICE CLIENTÈLE

Ce document ne constitue pas un engagement contractuel et n'est fourni qu'à titre indicatif. DOSATRON INTERNATIONAL se réserve le droit de modifier ses appareils à tout moment.  
 © DOSATRON INTERNATIONAL S.A.S. 2012.