

Absolute rotary Encoder

CEV65M*4096/4096 SSI (ALT.:110-01401)

OrderNo.:CEV65M-01401

5.6.2018 / 010102006502010201

Technical data

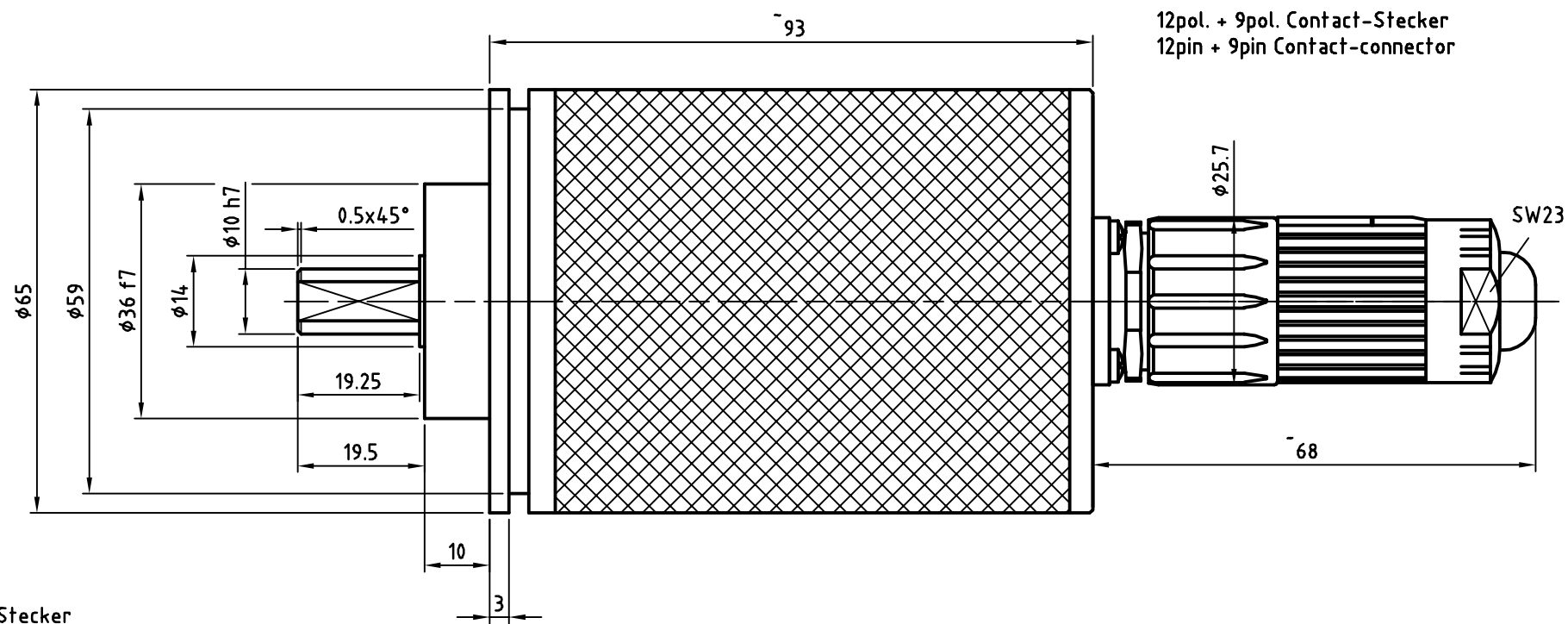
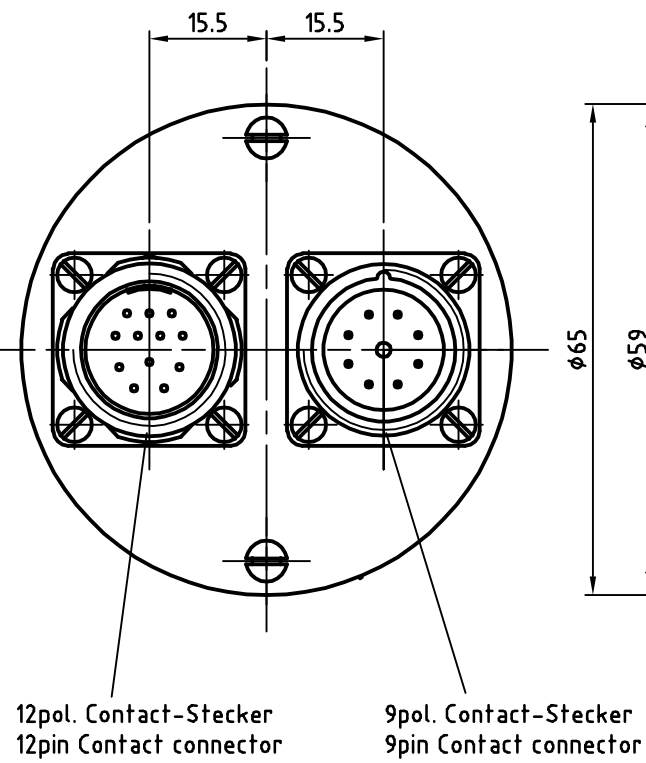
| | |
|--------------------|-------------------------|
| NO.OF STEPS/REV | 4.096,000 |
| NO. OF REVOLUTIONS | 4.096,000 |
| PROGRAMMABLE | PROG. |
| INTERFACE | SSI |
| CODE | PROGRAMMABLE |
| SUPPLY VOLTAGE | 11-27V |
| OUTPUT LEVEL | RS422 |
| PROTECTION Class | IP65 |
| TEMPERATURE RANGE | 0-60°C |
| FLANGE TYPE | ZB36 |
| SHAFT TYPE | 10FL/19,5 |
| CONNECTOR TYPE | CONTACT 12P |
| CONNECTOR TYPE | CONTACT 9P |
| CONNECTOR-POSITION | AXIAL |
| PINOUT NO. | STK123C=185E+1746E |
| MATING PLUG | YES |
| OPTIONS ENC | CH1+CH2+NEG |
| OPTIONS ENC | CH2 LEADS CH1 |
| OPTIONS ENC | F/R |
| OPTIONS ENC | INC-TRACKS 1024PPR (5V) |
| OPTIONS ENC | PRESET 1+2 |
| OPTIONS ENC | PROGRAMMABLE (WINPROG) |
| DRAWING NO. | 04-CEV65M-M0075 |
| VERSIONNO | 000 |
| PARAMETER FILE | CE831-095 |
| FIRMWARE NO | 437696 |
| DOCUMENTATION NO | DOKUMENTE |

| | |
|----------------|--|
| GL | Wellenausführung glatt / shaft type cylindrical |
| FL | Wellenausführung mit Fläche / shaft type with flat surface |
| N | Wellenausführung mit Nut / shaft type with slot |
| Hohlw | Hohlwelle / hollow shaft |
| Klemme | mit Klemmring / with clamping ring |
| Grundw | Grundwelle / fundamental shaft |
| SLG | Seillängegeber / cable retractor |
| ZB | Zentrierbund / centre ring |
| Tachofl | Tachoflansch / tachometer flange |
| DAG | DAG-Schutzgehäuse / DAG protective housing |
| TK | Teilkreis / pitch circle |

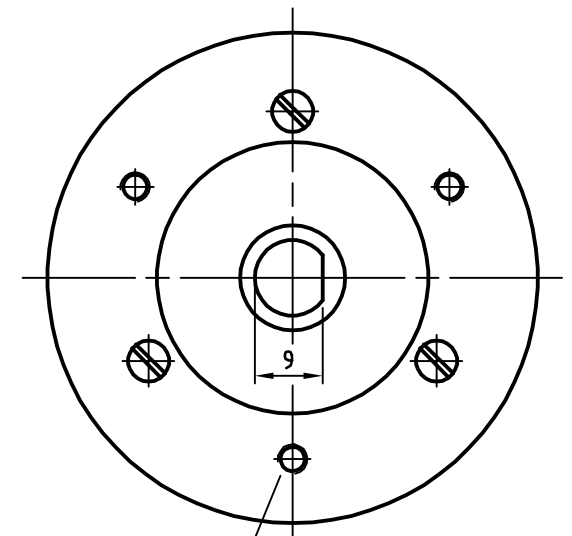
Subject to change.



Ansicht ohne Gegenstecker
View without mating connector




12pol. + 9pol. Contact-Stecker
12pin + 9pin Contact-connector



3xM4, 6tief
TK ϕ 48 \pm 0.2, (3x120°)
3xM4, 6deep
TK ϕ 48 \pm 0.2, (3x120°)

Artikel-Nr. und Steckerbelegung: siehe Datenblatt
Article-No. and pin connections: see data sheet

| | | | | | | |
|--|--|----------------------|--|-----------------------------|------------------------------|------------------|
|  TR Electronic GmbH Eglisshalde 6 78647 Trossingen Telefon 07425/228-0 | | | Maßstab 1:1 | DIN A3 | Projekt-Nr.: | |
| | | | Zeichnungs-Nr. nur für diese Ausführung gültig Drawing-No. only for this type valid | | | |
| | | | Datum | Name | CEV-65-M, 36er Zentr. | |
| | | Erstellt | 04.10.2005 | Habetler | | |
| | | Bearb. | 04.10.2005 | HABETLER | | |
| | | Gepr. | | | | |
| | | Norm | | | | |
| | | www.tr-electronic.de | | Zeichnungs-NR./Drawing-No.: | | |
| | | DXF+Info: | | 04-CEV65M-M0075 | | |
| | | Zust. | Änderung | Datum | Name | Blatt 1 B1 |

| | | | |
|------------|------------|--------|--------|
| ϕ 36 | f7 | -0.025 | 35.975 |
| | | -0.05 | 35.95 |
| ϕ 10 | h7 | 0 | 9.985 |
| | | -0.015 | 9.985 |
| Dimensions | Tolerances | | |

Pin assignment

Pin assignment number: 185

Index: E

14.07.2011

Connector name: 12-pol.CONTACT Pin-count: 12

+ 1746E = K123C

Page: 1/1

| Pin | Designation | Description | Level | Driver | NC | Color |
|-----|---------------------|----------------------------------|----------------|--------|----|-----------|
| 1 | SSI_Clock-_IN | Clock input - | RS 422 | RS 422 | | white |
| 2 | SSI_Clock+_IN | Clock input + | RS 422 | RS 422 | | brown |
| 3 | SSI_DATA+_OUT | Data output + | RS 422 | RS 422 | | green |
| 4 | SSI_DATA-_OUT | Data output - | RS 422 | RS 422 | | yellow |
| 5 | Ser.Program+_IN/OUT | Ser. programming interface RS485 | RS 485 | RS 485 | | gray |
| 6 | Ser.Program-_IN/OUT | Ser. programming interface RS485 | RS 485 | RS 485 | | pink |
| 7 | not connected | | | | | |
| 8 | Direction IN | Change of counting direction | Supply Voltage | | 0 | red |
| 9 | Preset1_IN | Preset value 1 | Supply Voltage | | 0 | black |
| 10 | Preset2_IN | Preset value 2 | Supply Voltage | | 0 | violet |
| 11 | Supply Voltage IN | Supply voltage | 11-27V | | | gray/pink |
| 12 | Ground IN | Ground | 0V | | | red/blue |

WARNING !!

'De-energize the system before carrying out wiring work or opening and closing electrical connections !!!

Short-circuits, voltage peaks, etc. can cause operating failures and uncontrolled operating states, as well as serious personal injuries and damage to property.

Verdrahtungsarbeiten, Öffnen und Schließen von elektrischen Verbindungen nur im spannungslosen Zustand durchführen !!! Kurzschlüsse, Spannungsspitzen etc. können zur Fehlfunktion und unkontrollierten Zuständen der Anlage bzw. zu erheblichen Personen- und Sachschäden führen.

Pin assignment

Pin assignment number: 1746

Index: E

14.07.2011

Connector name: 9-pol.CONTACT Pin-count: 9

+ 185E = K123C

Page: 1/1

| Pin | Designation | Description | Level | Driver | NC | Color |
|-----|-------------------|--------------------|--------|--------|----|--------|
| 1 | CH_A_OUT | Channel A | RS 422 | RS 422 | | white |
| 2 | /CH_A_OUT | Channel A inverted | RS 422 | RS 422 | | brown |
| 3 | CH_B_OUT | Channel B | RS 422 | RS 422 | | green |
| 4 | /CH_B_OUT | Channel B inverted | RS 422 | RS 422 | | yellow |
| 5 | not connected | | | | | |
| 6 | not connected | | | | | |
| 7 | not connected | | | | | |
| 8 | Supply Voltage IN | Supply voltage | 11-27V | | | red |
| 9 | Ground IN | Ground | 0V | | | black |

WARNING !!

'De-energize the system before carrying out wiring work or opening and closing electrical connections !!!

Short-circuits, voltage peaks, etc. can cause operating failures and uncontrolled operating states, as well as serious personal injuries and damage to property.

Verdrahtungsarbeiten, Öffnen und Schließen von elektrischen Verbindungen nur im spannungslosen Zustand durchführen !!! Kurzschlüsse, Spannungsspitzen etc. können zur Fehlfunktion und unkontrollierten Zuständen der Anlage bzw. zu erheblichen Personen- und Sachschäden führen.