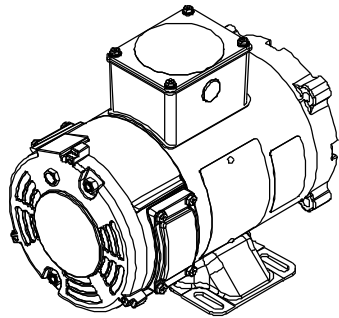
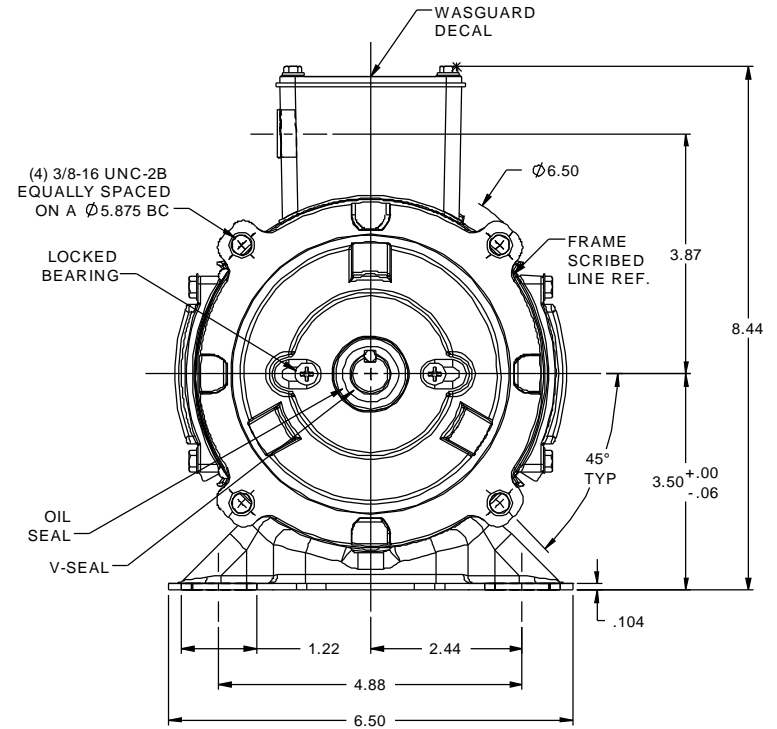
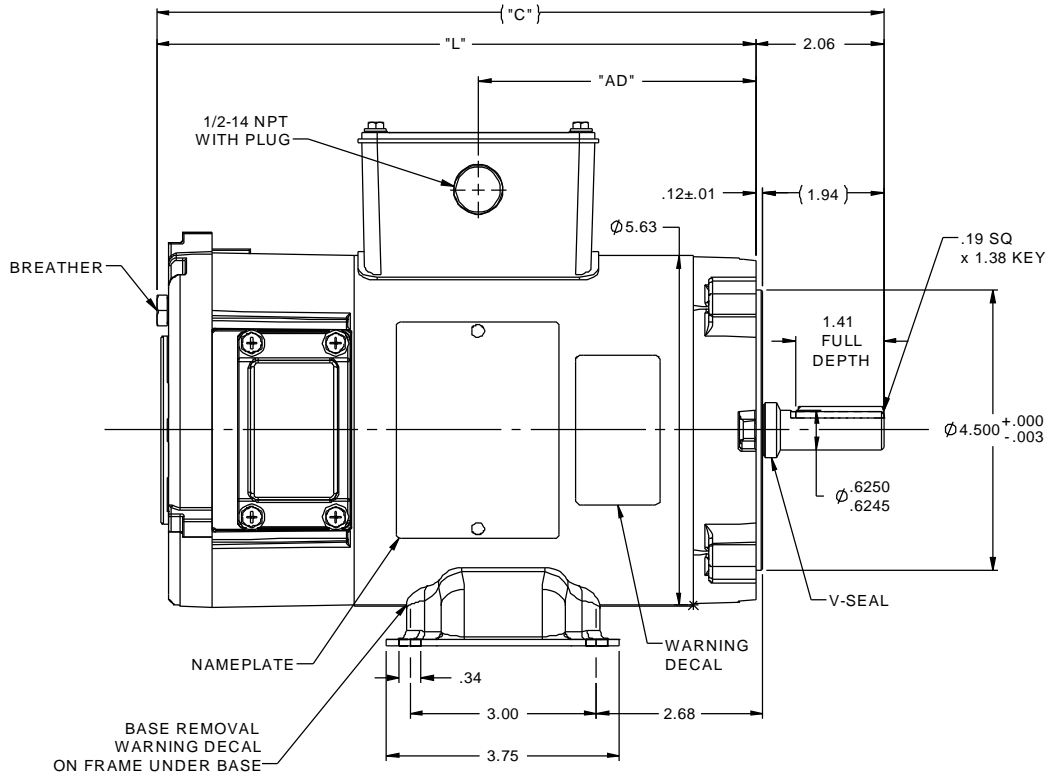


RBC PROPRIETARY AND CONFIDENTIAL INFORMATION
 This document is the property of REGAL BELOIT CORPORATION ("RBC") including its subsidiaries and divisions and contains proprietary information of RBC. This document is loaned on the express condition that neither the information contained therein shall be disclosed to others without the express written consent of RBC, and that the information shall be used by the recipient only as approved expressly by RBC. This document shall be returned to RBC upon its request. This document may be subject to certain restrictions under U.S. export control laws and regulations.



108424.00	11.67	9.61	4.46	90	1/3	1750
108423.00	10.67	8.61	3.46	90	1/4	1750
108229.00	14.17	12.11	6.96	180	3/4	1750
108228.00	14.67	12.61	7.46	90	3/4	1750
108227.00	13.67	11.61	6.46	180	1/2	1750
108226.00	13.17	11.11	5.96	90	1/2	1750
CATALOG No.	"C"	"L"	"AD"	VOLTS	H.P.	RPM

- NOTES:
 1) MAXIMUM FACE RUNOUT .004 T.I.R.
 2) MAXIMUM PILOT ECCENTRICITY .004 T.I.R.
 3) PERMISSIBLE SHAFT RUNOUT .002 T.I.R.
 4) GASKETS THROUGHOUT.

		TOLERANCES UNLESS SPECIFIED		LEESON		ELECTRIC MOTORS GEARMOTORS AND DRIVES		DRAWN IPG 12/1/08	
		DEC	INCHES					CHK	SK 12/1/08
		X	±.1					APPR	
02	UPDATED BREATHER LOCATION, ISAAC 12-5636	IPG	2/7/2013	XX	±.03	TITLE OUTLINE		SCALE	1:2
01	ADDED CATALOG 108229.00 TO TABLE.	RPB	1/30/2009	BC	XXX ±.005	48 FRAME DC		REF	030968
00	RELEASED	IPG	12/1/2008	SK	XXXX ±.0005	MAT'L		FMF	108424.75
NO	REVISION	BY & DATE	CHK	ANG	±1/2°	FINISH		PAGE	OF
	THIRD ANGLE PROJECTION	RFP	PREV	NETWORK FILE NAME 031900		SIZE	DRAWING NO	REV	
						B	031900	02	