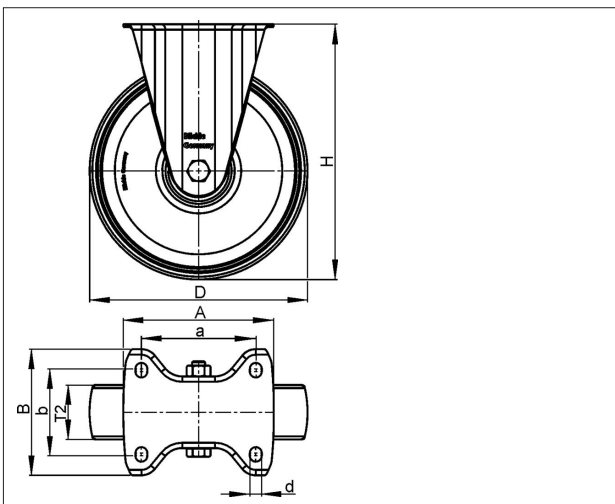


BS-GTH 252K

EAN: 4047526097394

ID: 97394



Technical data

Wheel Ø (D)	250 mm
Wheel width (T2)	80 mm
Load capacity	1800 kg
Total height (H)	305 mm
Unit weight	14.145 kg
Temperature range from	-25 °C
Temperature range to	70 °C
Tread & tyre hardness	92° Shore A
Bearing type	Ball bearing
Plate size (A,B)	175 x 140 mm
Bolt hole Ø (d)	14 mm
Bolt hole spacing (a,b)	140 x 105 mm

Rolling resistance	<input checked="" type="checkbox"/> <input checked="" type="checkbox"/> <input checked="" type="checkbox"/> <input checked="" type="checkbox"/> <input type="checkbox"/>
Operating noise	<input checked="" type="checkbox"/> <input checked="" type="checkbox"/> <input checked="" type="checkbox"/> <input type="checkbox"/> <input type="checkbox"/>
Floor surface preservation	<input checked="" type="checkbox"/> <input checked="" type="checkbox"/> <input checked="" type="checkbox"/> <input type="checkbox"/> <input type="checkbox"/>