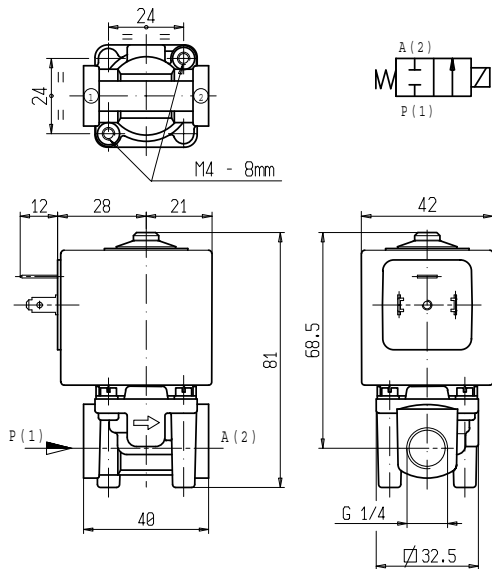




SOLENOID VALVE
2/2 - NC (Normally closed)
Direct acting
G1/4

L139



► **GENERAL FEATURES**

Direct acting solenoid valve.
 Suitable to shut off liquid and gaseous fluids (verify the compatibility of fluid with materials in contact).

► **TECHNICAL FEATURES**

Maximum allowable pressure (PS) 20 bar
Opening time ~30ms
Closing time ~30ms
Fluid temperature -10°C +90°C (NBR)
 0°C +130°C (FPM)
Max viscosity 5°E (~37 cStokes or mm²/s)

► **MATERIALS IN CONTACT WITH FLUID**

Body Brass
Sealing NBR or FPM
Internal components Stainless steel
Seat Brass
Core tube Stainless steel
Shading coil Copper

► **COIL**

Continuous duty ED 100%
Encapsulation material PET (polyethylene terephthalate) fiberglass reinforced
Insulation class F (140°C) on request class H (165°C) - UL
Ambient temperature -10°C +60°C
Electric connections DIN 46340 - 3 poles connectors (EN175301-803)
Protection degree IP 65 (EN 60529) with plug connector
Voltages DC 12-24V (+10% -5%)
AC 24V/50Hz - 110V/50Hz (120V/60Hz) - 230V/50Hz (+10% -15%)
 (Other voltages and frequencies on request).

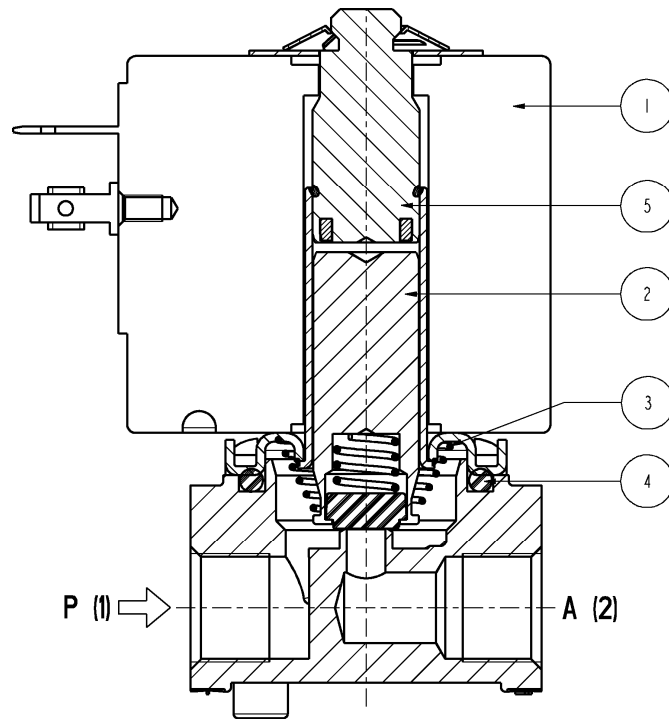
Port size ISO 228	Orifice size (mm)	Differential pressure (bar)				Kv (m ³ /h)	Series and type		Power absorption			Sealings	Notes	Weight (kg)							
		Δp min	Δp max				Valve	Coil	AC (VA)		c.c. (W)										
			Gas		Liquids				Inrush	Holding											
			c.a.	c.c.	c.a.										c.c.						
G 1/4	4,5	0	8	4	8	4	0,50	L139B08	Z130A	44	24.	13	NBR	-	0,500						
							L139V08									FPM					
	6		3,5	1,5	3,5	1,5	0,70	L139B08												NBR	1
							L139V08									FPM					

► **NOTES**

- Sealings : NBR = Nitrile-butylene elastomer FPM = Fluoro-carbon elastomer
 1 - Model available on request only: ask for minimum quantity.

L139

► SPARE PARTS



Kit description		Kit P.N.	Consisting of:
Core kit	L139B08 L139V08	G2877301 G2877302	Core (with core return spring) pos. 2 OR guide assembly pos. 4
Core return spring kit		G2867301	N.10 core return springs pos. 3
Guide assembly		3077401R	Guide assembly pos. 5
Coil		Z130A	Coil pos. 1

► INSTALLATION

Solenoid valve can be mounted in any position; vertical with coil upwards preferred.