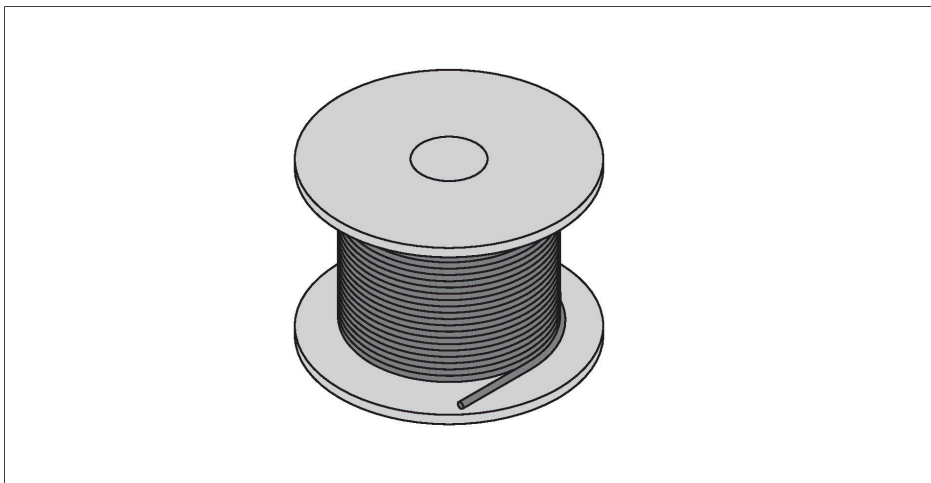


CABLE4X0.34-SH-PUR-BK-100M/TXL

Actuator and Sensor Cable, PUR – Bulk Cable

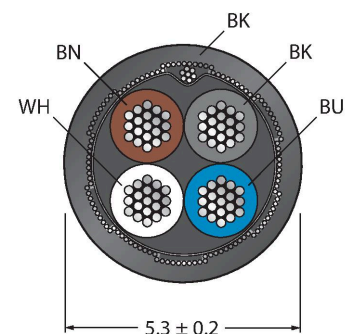


Features



- Jacket material: PUR with shielding
- Jacket color: black
- Qualified for drag chain use
- Resistant to weld splatter
- Resistant to chemicals, UV radiation and oils
- Flame retardant
- Free from halogen, silicone, PVC and LABS
- Particularly abrasion resistant
- Approval: cULus
- RoHS conform
- Protection class IP67
- Cable length: 100 m

Cable Cross-Section



Technical data

Type	CABLE4X0.34-SH-PUR-BK-100M/TXL
ID	6627958
Number of Pins	4
Cable	
Cable diameter	Ø 5.3 mm ± 0.20
Cable length	100 m
Cable jacket	PUR, Black
Core insulation	PP
Core cross-section	4 x 0.34 mm ²
Arrangement of strands	42 x 0.1 mm
Core colors	BN, WH, BU, BK
Electrical properties at +20 °C	
Test voltage	2000 V
Current	4 A
Insulation resistance	> 30.5 MΩ/km
forward resistance	max. 57 Ω/km
Mechanical and chemical properties	
Bending radius (stationary installation)	≥ 5 x Ø
Bending radius (flexible use)	≥ 10 x Ø
Bending cycles	≥ 5 million
Admissible acceleration	max. 5 m/s ²
Admissible travel path, horizontal	5 m (at 5 m/s ²)
Admissible travel path, vertical	2 m (at 5 m/s ²)
Admissible traversing speed	3.3 m/s
Torsional stress	± 180 °/m
Ambient temperature range (stationary)	-50 °C...+80 °C
Ambient temperature range (In motion)	-25 °C...+80 °C

Technical data

Ambient temperature during drag chain operation -25 °C...+60 °C
