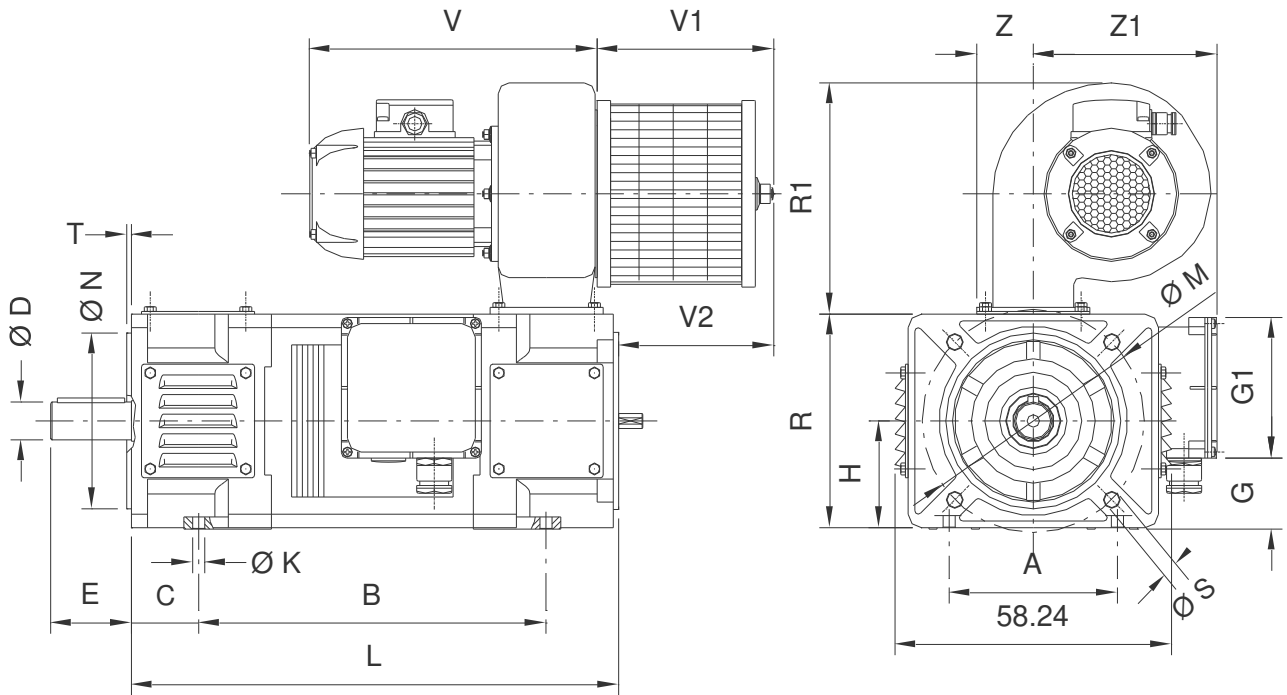


Dimensioni di ingombro ML71-80

Overall dimensions ML 71-80



Tipo Type		N	M	S	T	H	R	C	B	L	A	A1	K	V	V1	Z1	R1								
ML 71	S	130	165	11	3,5	71	141	45	189	283	115	180	9	205	125	135	174								
	M								209	303															
	L								229	323															
ML 80	S					80	159	50	218	322	125	210						238	342	258	362	278	382		
	M																							238	342
	L																							258	362
	P	278	382																						

The drawing shows a screw with dimensions D (diameter), E (length), F (thread length), GA (height), d (minor diameter), and d1 (pitch diameter).

	D	E	F	GA	d1
ML71	14j6	30	5	16	M5x12,5
	19j6	40	6	21,5	M6x16
	24j6	50	8	27	M8x19
ML80	19j6	40	6	21,5	M6x16
	24j6	50	8	27	M8x19
	28j6	60	8	31	M10x22