

Bellows suction cup (round)

SAB 30 NBR-60 M14x1.5-AG

Part no...:10.01.06.01201

<https://www.schmalz.com/10.01.06.01201>

Home > Vacuum Technology for Automation > Vacuum Components > Vacuum Suction Cups > Suction Cups for Handling Sheet Metal > Bellows Suction Cups SAB (1.5 Folds) > SAB 30 NBR-60 M14x1.5-AG

Bellows suction cup (round) for very dynamic handling of smooth and oily workpieces



Size: 30

Suction cup material: Nitrile rubber NBR

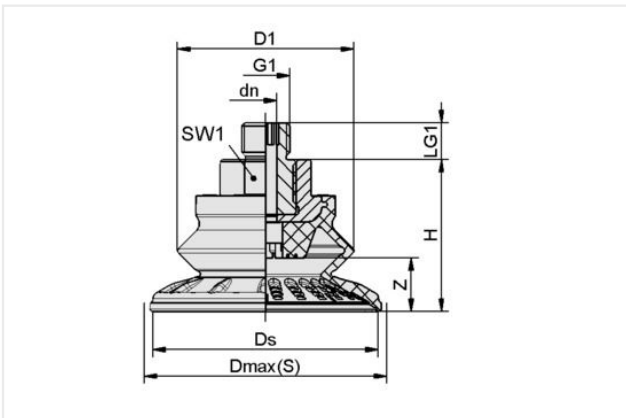
Material hardness [Shore A]: 60 Shore A

Nipple material: Aluminum

Connection: M14x1.5-AG

Number of folds: 1.5

Design Data



Attribute	Value
dn	4 mm
D1	32 mm
Dmax(S)	34 mm
Ds	30.60 mm
G1	M14x1.5-M
H	28 mm
LG1	12 mm
SW1	17 mm
Z (Stroke)	9 mm

Note: Acceptable dimensional tolerances for elastomer parts concerning to DIN ISO 3302-1 M3

Technical Data

Attribute	Value
Suction force (-600mbar)	22 N
Pull-off force	33 N
Lateral force	30 N
Lateral force (oily surface)	13 N
Volume	5.73 cm ³
Curve radius (min) (convex)	40 mm
Hose diameter (empf.) d	4 mm

Contact Schmalz

Schmalz Vacuum Technology Ltd. | 14-2900 Argentia Rd, L5N 7X9 Mississauga, ON, Canada | +1 905 569 9520 | schmalz@schmalz.ca

Bellows suction cup (round)

SAB 30 NBR-60 M14x1.5-AG

Part no...:10.01.06.01201

<https://www.schmalz.com/10.01.06.01201>

Size	30
Suction cup material	Nitrile rubber NBR
Material hardness [Shore A]	60 Shore A
Weight	19.40 g
Product family	SAB
Number of folds	1.50

Note: Suction force: The specified suction forces are theoretical values at a vacuum of -0.6 bar and with a dry, smooth and flat workpiece surface - they do not include a safety factor Lateral force: The specified lateral forces are values measured at a vacuum of -0.6 bar with a dry or oily, smooth, flat workpiece surface. Depending on the workpiece surface and its quality, the actual values may deviate from these values Hose diameter: The recommended hose diameter refers to a hose length of approx. 2 m
