

# SJ

# SJ700A SERIES

SJ700A series is semi-modular and includes a built-in interpolator

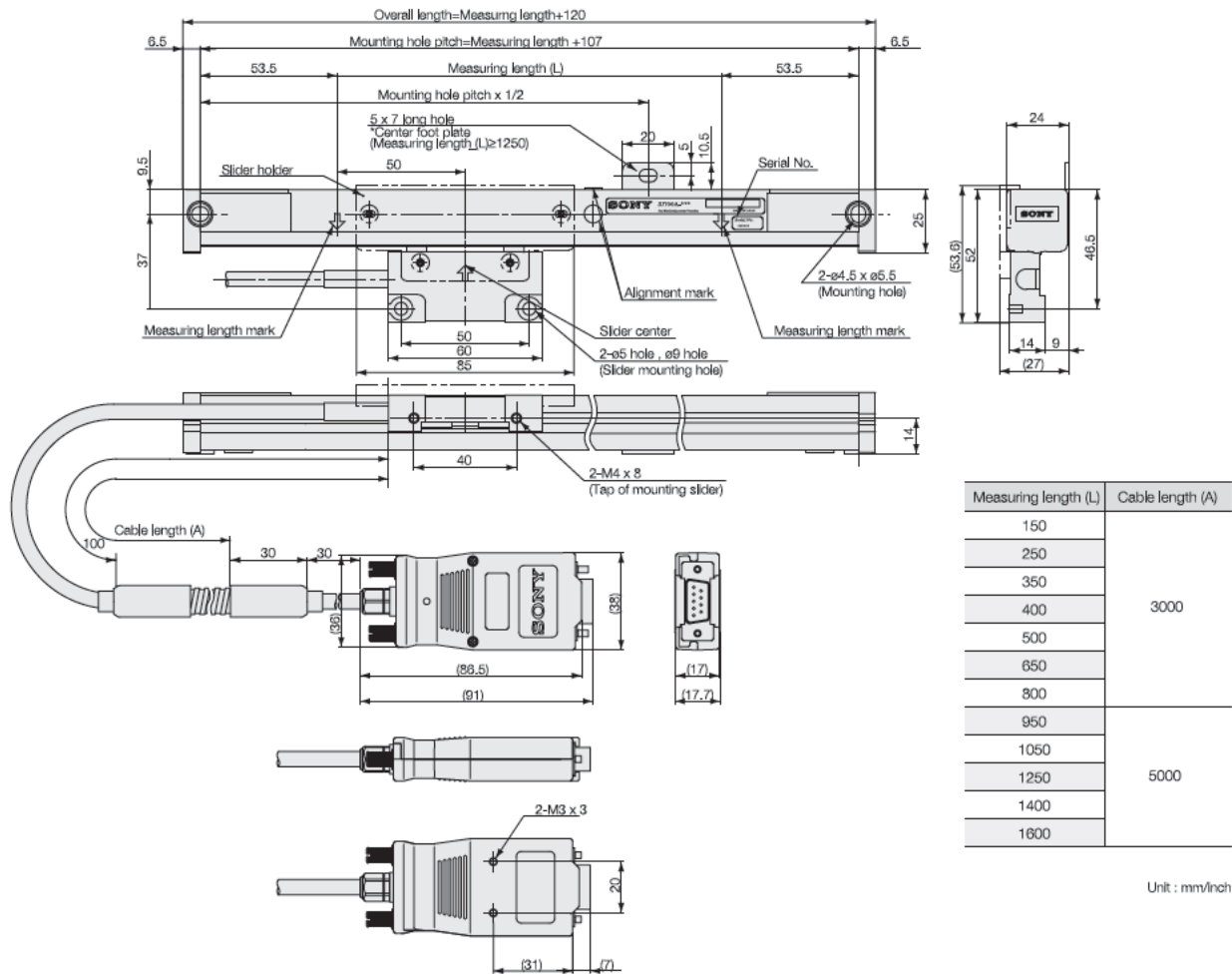


- Magnetic based encoder
- Excellent resistance to workshop conditions
- Same coefficient of expansion as that of machine tools
- Measuring length: 150 mm to 1600 mm / 5.9" to 62.9"
- Accuracy:  $\pm 10 \mu\text{m}$ ,  $\pm 15 \mu\text{m}$
- Resolution:  $5 \mu\text{m}$

Scale	Counter
SJ700A	LH70/71,LY71/72 LG20

MILLMAN®

## Dimensions



## Specifications

Model	SJ700A
Measuring length L:mm(inch)	150 (5.9"), 250 (9.8"), 350 (13.7"), 400 (15.7"), 500 (19.6"), 650 (25.5"), 800 (31.5"), 950 (37.4"), 1050 (41.3"), 1250 (49.2"), 1400 (55.1"), 1600 (62.9")
Overall length	Measuring length + 120 (4.73")
Maximum travel	Measuring length + 20 (0.78") (10 (0.39") each at right and left)
Scale accuracy (at 20°C/68°F)	$\pm 10 \mu\text{m}$ (Measuring length 1250 (49.21") or less) $\pm 15 \mu\text{m}$ (Measuring length 1400 (55.12") or more)
Thermal expansion coefficient	$(12 \pm 1) \times 10^{-6}/\text{C}$
Cable length	3 m (9.8 ft) (SJ700A-015 to 080), 5 m (16.4 ft) (SJ700A-095 to 160)
Operating temperature	0 to +40°C (+32 to +104°F)
Storage temperature	-20 to +60°C (4 to +140°F)
Operating humidity	Condensation allowed
Storage humidity	90 %