

81/82/85 - DZUS® Lion Quarter-Turn Fasteners

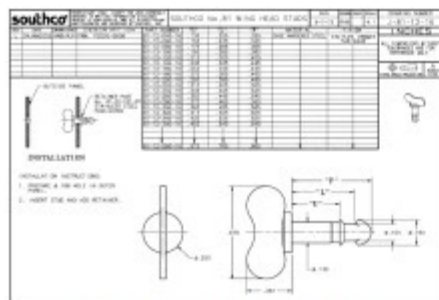
Products > Quick Access Fasteners > DZUS® Quarter-Turn Fasteners > DZUS® Turn-To-Close, Turn-To-Open Quarter-Turn Fasteners



Part Number: 85-35-308-55

Specifications

Material	Steel
Finish	Zinc Plate, Bright chromate
Color/Appearance	Bright
Installation	Press-in
Receptacle Style	Press-In
Size Series	Large Size
Type	Receptacle



[Download trade drawing](#)



[CAD Download](#)



[Request Samples](#)



[Add to Saved Products](#)



[Product Specs](#)



[Pricing & Availability](#)



[Performance Data](#)

[Available Modifications](#)

[Additional Information](#)

Southco offers modifications to our standard products, explore the possibilities of how Southco can engineer a solution to meet your specific application requirements.

[Learn More](#)



PROPRIETARY ITEM - EXCEPT FOR USES EXPRESSLY GRANTED IN WRITING INFORMATION DISCLOSED HEREON IS CONFIDENTIAL AND ALL RIGHTS PATENT AND OTHERWISE ARE RESERVED BY SOUTHCO, INC.

SOUTHCO No.85 SINGLE HOLE RECEPTACLE

DATE	DRAWN	CHKD	SCALE	DRAWING NUMBER
1-14-74	RHB		1.5:1	J-85-35-308-55

REV	DATE	DRAWN/CHKD	DESCRIPTION	ITEM	PART NO.	MATERIAL	FINISH
H	06AUG93	MPF/	PRN:S-	ASSEMBLY	85-35-308-55	-	-
I	06DEC1996	JAC/	PRN:S-1-06A	RECEPTACLE	-	CASE HARDENED STEEL	SEE NOTE "A"
J	23JUN2005	BRP/RLR	PRN: P2005-0743	SHELL	-	CASE HARDENED STEEL	SEE NOTE "A"
K	17JAN2008	GDW/CHW	PRN: P2008-0048	SPRING	-	STAINLESS STEEL	ZINC FLAKE COATING
L	25JUN2010	ACH	PRN: P2010-0651	RETAINER	-	STAINLESS	PASSIVATE
M	19MAY2014	CMS/JCG	PRN: P2014-0973				

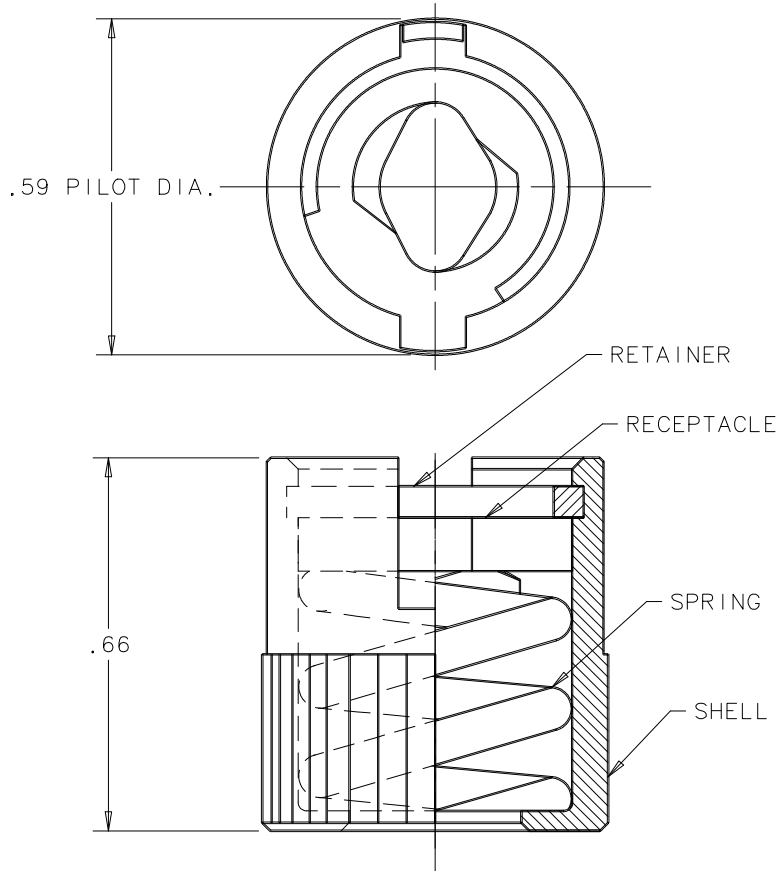
INCHES

ALL DIMENSIONS WITHOUT TOLERANCES ARE FOR REFERENCE ONLY.

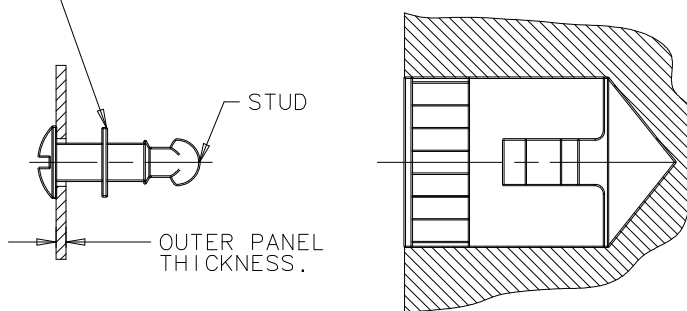
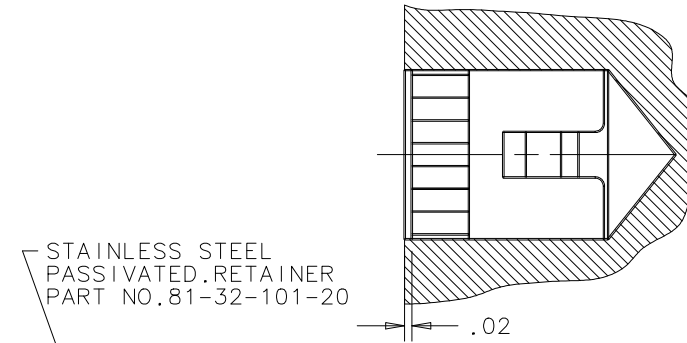
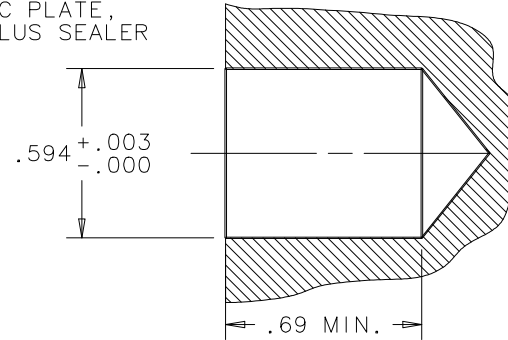
THIRD ANGLE PROJECTION

A
PAPER
SIZE

RECEPTACLE ASSEMBLY



NOTE "A" - ZINC PLATE,
CHROMATE PLUS SEALER



INSTALLATION INSTRUCTIONS

1. DRILL ϕ .594 HOLE IN INNER MEMBER.
2. PRESS RECEPTACLE ASSEMBLY INTO A DEPTH OF .025 BELOW SURFACE. SLOT MAY BE POSITIONED AS DESIRED; WHEN LOCKED UP, SLOT IN STUD WILL BE PERPENDICULAR TO SLOT IN RECEPTACLE.