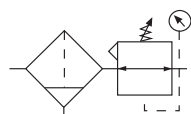


Filter / Regulator CB6

= "Most Popular"



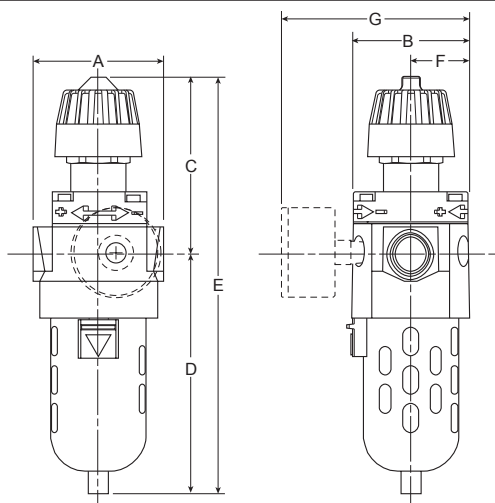
CB6-02-000

Features

- 5 Micron Filtration
- Balanced Valve
- Manual Flex Drain
- Integral Plastic Bowl / Bowl Guard
- Quick-Disconnect Bowl

⚠ WARNING

**Product rupture can cause serious injury.
Do not connect regulator to bottled gas.
Do not exceed maximum primary pressure rating.**



NOTE: 1.31" Dia. (33.3 mm) hole required for panel nut mounting.

Dimensions

Models	Inches (mm)	A	B	C	D	E	F	G
Standard Unit CB6-XX-000		3.00 (76)	2.64 (67)	3.95 (100)	5.43 (137.9)	9.38 (238)	1.34 (34)	4.18 (106)
Automatic Drain CB6-XX-F00		3.00 (76)	2.64 (67)	3.95 (100)	5.55 (140.9)	9.50 (241)	1.34 (34)	4.18 (106)
Metal Bowl CB6-XX-M00		3.00 (76)	2.64 (67)	3.95 (100)	6.05 (153.7)	10.00 (254)	1.34 (34)	4.18 (106)
Metal Bowl with Sight Gauge CB6-XX-G00		3.00 (76)	2.64 (67)	3.95 (100)	6.15 (156)	10.10 (256.5)	1.34 (34)	4.18 (106)

Specifications

Flow Capacity*	1/4	64.0 SCFM (30.2 dm ³ /s)
	3/8	70.0 SCFM (33.0 dm ³ /s)
	1/2	70.0 SCFM (33.0 dm ³ /s)
Adjusting Range Pressure		0 to 50 PSIG (0 to 3.5 bar)
		0 to 125 PSIG (0 to 8.6 bar)
Gauge Port (2)	NPT / BSPT-Rc	1/4
Maximum Supply Pressure	Plastic Bowl	150 PSIG (10.3 bar)
	Metal Bowl	200 PSIG (13.8 bar)
Operating Temperature	Plastic Bowl	32° to 125°F (0° to 52°C)
	Metal Bowl	32° to 150°F (0° to 65.5°C)
Port Size	NPT / BSPP-G	1/4, 3/8, 1/2
Standard Filtration		5 Micron
Weight		2.4 lb. (1.1 kg)

* Inlet pressure 100 PSIG (6.9 bar). Secondary pressure 90 PSIG (6.2 bar).

"F" Series Filters, Type "A" 5 Micron Elements: All Wilkerson Type "A" 5 micron elements meet or exceed ISO Class 3 for maximum particle size and concentration of solid contaminants.

Materials of Construction

Body		Zinc
Bonnet, Knob		PBT
Bowls	Plastic Bowl	Polycarbonate
	Metal Bowl	Zinc
Diaphragm		Nitrile / Zinc
Filter Element		Polyethylene
Panel Nut		Acetal
Seals	Plastic Bowl	Nitrile
	Metal Bowl	Fluorocarbon
Stem, Element Retainer and Deflector		Acetal
Springs		Steel
Valve Assembly		Brass / Nitrile

CAUTION:

REGULATOR PRESSURE ADJUSTMENT – The working range of knob adjustment is designed to permit outlet pressures within their full range. Pressure adjustment beyond this range is also possible because the knob is not a limiting device. This is a common characteristic of most industrial regulators, and limiting devices may be obtained only by special design.

For best performance, regulated pressure should always be set by increasing the pressure up to the desired setting.

= "Most Popular"

Replacement Bowl Kits

- Metal Bowl –
 - Automatic Float Drain..... FRP-95-950
 - Brass Petcock Drain..... FRP-95-178
- Metal Bowl / Sight Gauge, Brass Petcock Drain..... GRP-95-133
- Plastic Bowl, Flex Tip Drain..... FRP-95-017
- Plastic Bowl / Bowl Guard –
 - Automatic Float Drain..... FRP-95-015
 - Flex Top Drain..... FRP-95-014

Replacement Element Kits

- Type "A", 5 Micron w/ Nitrile Bowl O-Ring..... FRP-95-160

Replacement Kits

- Diaphragm Assembly –
 - Non-relieving..... RRP-96-216
 - Self-relieving..... RRP-96-213
- Spring, Regulating –
 - 0 to 50 PSIG (0 to 3.4 bar) Blue Color..... RRP-95-222
 - 0 to 125 PSIG (0 to 8.5 bar) Silver Color..... RRP-95-224

Accessories

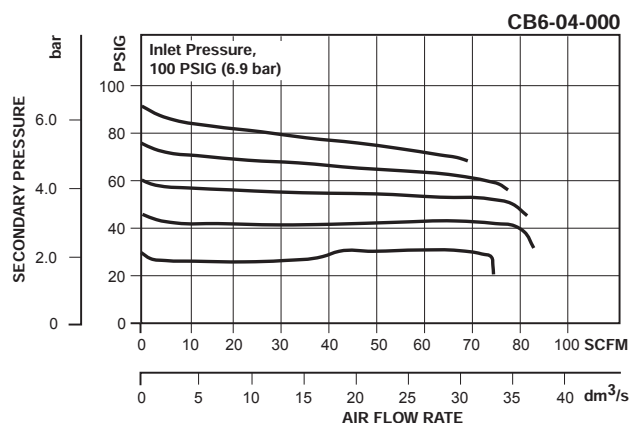
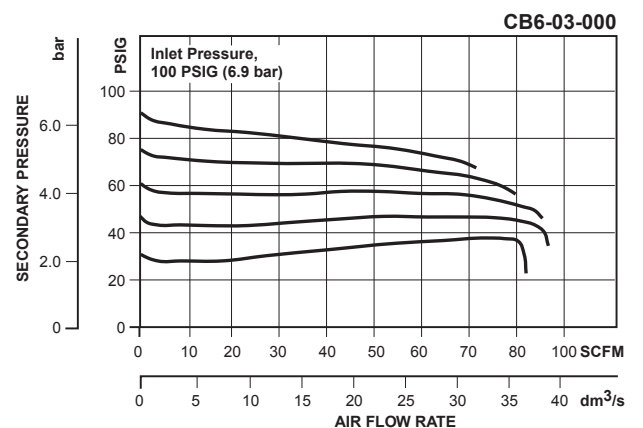
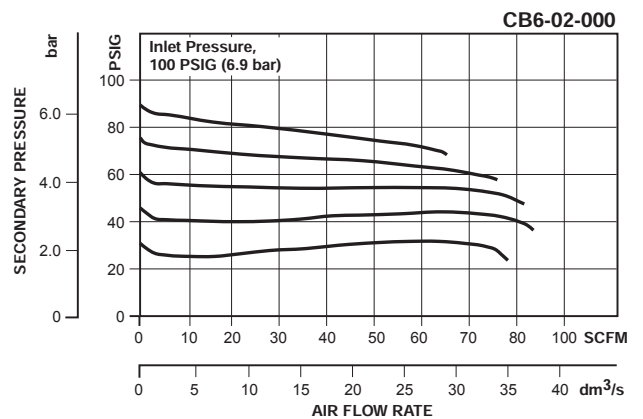
- Automatic Mech. Drain, 1/8" NPT –
 - Fluorocarbon..... GRP-95-981
 - Nitrile..... GRP-95-973
- Manual Flex Tip Drain..... FRP-95-610
- Wall Mounting Bracket –
 - Gauge Port Adapter, 1/4" NPT..... RRP-95-590
 - L-Type..... GPA-95-012
- Drain, Manual Override for
 - Auto Float Drain, 1/8 NPT..... GRP-96-000
- Gauge, Pressure, 2" Dial Face, 1/4" NPT CBM –
 - 0 to 60 PSIG (0 to 4.1 bar)..... K4520N14060W
 - 0 to 160 PSIG (0 to 11.0 bar)..... K4520N14160W
 - 0 to 300 PSIG (0 to 21 bar)..... K4520N14300W
 - 0 to 160 PSIG, 1-3/4" Digital Round, 1/4" NPT .. K4517N14160D
- Panel Nut, Plastic..... GPA-95-032
- Tamper Resistant Kit..... RPA-95-006

NOTE: Gauge not included, order separately by accessory number.

Ordering Information

Model Type	Port Size	Plastic Bowl / Bowl Guard 0 to 125 PSIG (0 to 8.6 bar)	Metal Bowl 0 to 125 PSIG (0 to 8.6 bar)	Metal Bowl w/ Sight Gauge 0 to 125 PSIG (0 to 8.6 bar)	Metal Bowl Low Pressure 0 to 50 PSIG (0 to 3.4 bar)
Manual Drain	1/4	CB6-02-000	CB6-02-M00	CB6-02-G00	CB6-02-LM0
	3/8	CB6-03-000	CB6-03-M00	CB6-03-G00	CB6-03-LM0
	1/2	CB6-04-000	CB6-04-M00	CB6-04-G00	CB6-04-LM0
Automatic Drain	1/4	CB6-02-F00	CB6-02-FM0	CB6-02-FG0	CB6-02-FLM
	3/8	CB6-03-F00	CB6-03-FM0	CB6-03-FG0	CB6-03-FLM
	1/2	CB6-04-F00	CB6-04-FM0	CB6-04-FG0	CB6-04-FLM

Options - To order an option supplied with the unit model, add the appropriate coded suffix letter in the designated position of the model number.



B

Filters, Regulators, Lubricators