

# Rotary Joints

## Series DX + DXS



# Rotary Joints Series DX + DXS

**DX/DXS Rotary Joints**  
are suitable for:

- cooling water (DX/DXS) and
  - hot water (DXS).
- **Advantages:**
- Separate one way flow and two way flow versions. This assures optimum cross-sections of the housing connections.
  - Easy to repair.
  - Proven thousands of times in the textile, plastic and paper industries.
  - Safe sealing even in applications subject to adverse conditions.
- **Housing made of brass.** Cast housing consisting of two parts for DN 100 and greater.
- **Rotor and counter-running surfaces made of chromium steel.** DXS units feature counter-running surfaces made of metal ceramics.
- **Compact mechanical seal.** DN 100 and greater as well as DXSB are equipped with an easy-to-replace rotor seal.
- **Two ball bearings, series 300 with tapered roller bearings for greater loads.** Bearings are factory-lubricated and maintenance-free up to 80°C. Easily accessible lubrication point for higher temperatures.
- **Connection to the rotating pressure system by means of:**
- Standard threaded male connection piece for DN 10-80 with right hand or left hand thread G/BSP (ISO 228). Sealing and centering cone at the thread end. Adapter pieces for NPT and other threads are available.
  - K flange and conical inner ring.
  - Optional fixed flange (F) for version DXSB and DN 100-150.
- **Radial and axial housing connection with right hand thread as per ISO 228 for DN 10-80.** Adapter pieces for NPT and other threads are available.  
Housing connections with flanges as per DIN 2633. PN 16, for DN 100 and greater. ANSI upon request.



- DXSB and DXS DN 100 - 150 with bleed screws G 1/2.
- Screw-in thread for fixed internal pipe (DX/DXS 2...) always right, even in the case of a left hand thread at the rotor.
- Slide bushing for rotating internal pipe (DXR/DXSR 2...) as gap seal between supply and return system.
- Anti-rotation locking by means of locking pin or locking fork for DN 100 and greater.
- For safety reasons, the rotary joint must be equipped with a protective hood or a similar protective devices at pressures of 10 bar and greater.

## DXSB Rotary Joints

- The internal pipe is held in the rotor of DXSB rotary joints. This means that there is no wear at the internal pipe. Greater speeds are possible.
- Replaceable rotor seal (counter-running ring).
- Three bleed screws at the housing circumference.

## Application data

Series		DX	DXS	DXS	DXS	DXS-200	DXS-300
Design		1, 2, R2	1, 2	R2	B2	1, 2, B2	1, 2, B2
Nominal diameter DN	mm	10...80	10...80	10...80	50...80	100...150	100...160
Medium		Cooling-water	Cooling-water, Hot-water	Cooling-water, Hot-water	Cooling-water, Hot-water	Cooling-water, Hot-water	Cooling-water, Hot-water
Temperature	min...max °C	-10...80	-10...150	-10...150	-10...150	-10...150	-10...160
Pressure PN	min...max bar	-0,2...8	-0,2...8	-0,2...8	-0,2...8	-0,2...8	-0,2...16*
Speed	max. min <sup>-1</sup>	$\frac{50000}{DN}$	$\frac{55000}{DN}$	$\frac{50000}{DN}$	$\frac{55000}{DN}$	DN100: 300 DN125: 300 DN150: 100	DN100: 600 DN125: 500 DN150: 400

\* At pressures of PN 12 bar and above only in connection with water up to 50°C.  
Avoid operating the unit under conditions involving several maximum values attained at the same time!  
Please inquire for greater values and other media.

## Ordering instructions

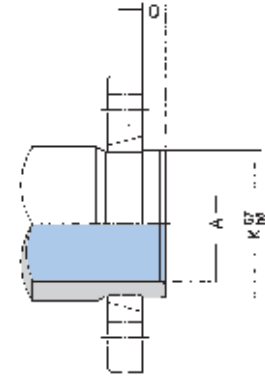
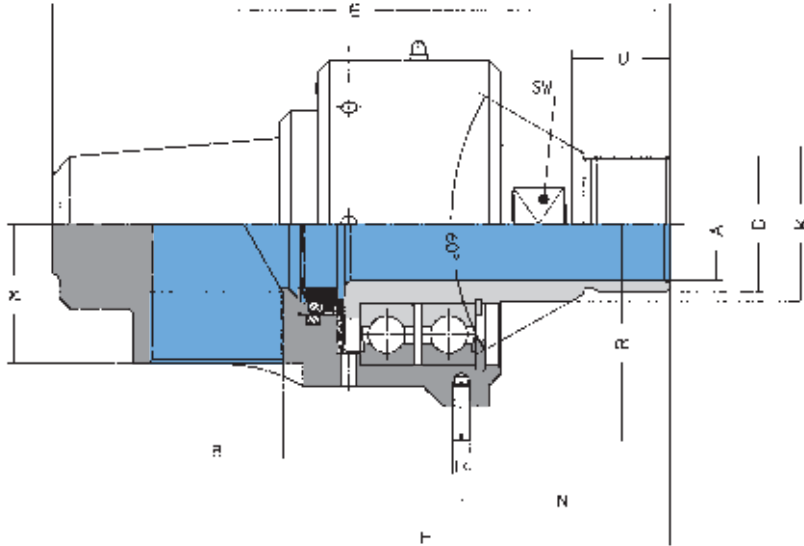
Example:

DX	S	B	2	150	K	-200
----	---	---	---	-----	---	------

<b>Series DX</b>	
S	Sealing surface with metal ceramics for prolonged service life
R	Version for rotating internal pipe with slide bearing and gland seal
B	statically held in the rotor
1	Number of housing connections for one way flow design
2	for two way flow design
	Nominal diameter in mm ( $\underline{\Delta}$ dimension A) 10, 15, 20, 25, 32, 40, 50, 65, 80, 100, 125, 150
R	Rotor connection right-hand thread
L	left-hand thread
K	for K flange
F	fixed flange
	Adapter pieces are available for other threads.
	For DN 100 ... 150: -200 with ball bearing -300 with tapered roller bearing Consecutive numbering of special designs; numbering by plant.

# DX1 + DXS1 DN 10-80

for one way flow of a medium



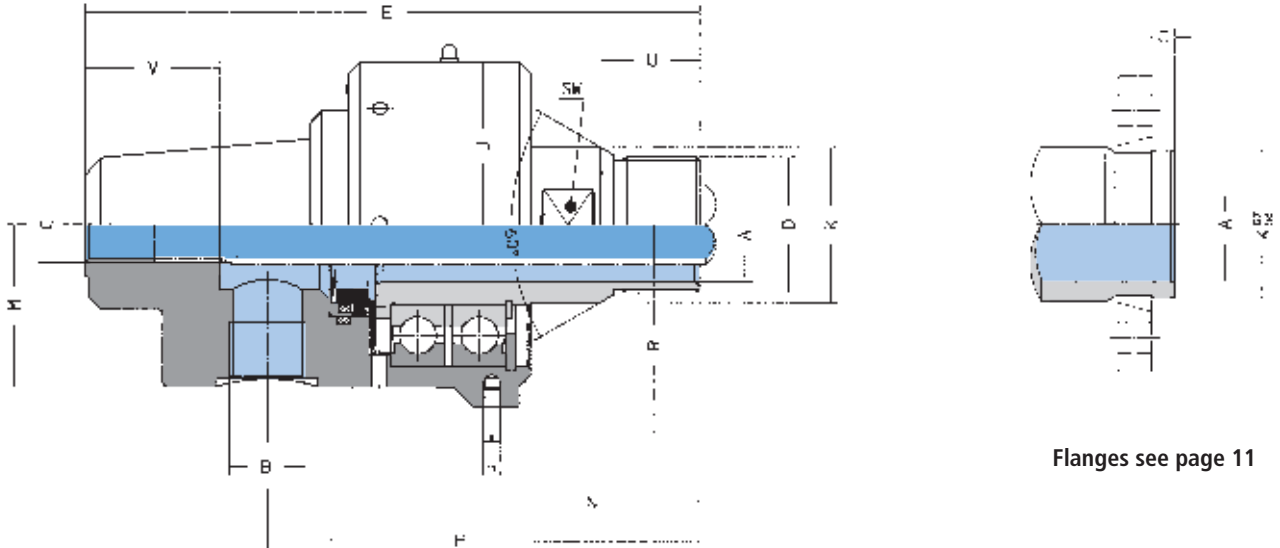
Flanges see page 11

DN	10	15	20	25	32	40	50	65	80	
DX	Type	DX 110 R	DX 115 R	DX 120 R	DX 125 R	DX 132 R	DX 140 R	DX 150 R	DX 165 R	DX 180 R
	Order-No.	1106000	1106050	1106100	1106150	1106200	1106250	1106300	1106350	1106400
DX	Type	DX 110 L	DX 115 L	DX 120 L	DX 125 L	DX 132 L	DX 140 L	DX 150 L	DX 165 L	DX 180 L
	Order-No.	1106001	1106051	1106101	1106151	1106201	1106251	1106301	1106351	1106401
DX	Type	DX 110 K	DX 115 K	DX 120 K	DX 125 K	DX 132 K	DX 140 K	DX 150 K	DX 165 K	DX 180 K
	Order-No.	1106002	1106052	1106102	1106152	1106202	1106252	1106302	1106352	1106402
DXS	Type	DXS 110 R	DXS 115 R	DXS 120 R	DXS 125 R	DXS 132 R	DXS 140 R	DXS 150 R	DXS 165 R	DXS 180 R
	Order-No.	1105000	1105075	1105150	1105225	1105300	1105375	1105450	1105525	1105600
DXS	Type	DXS 110 L	DXS 115 L	DXS 120 L	DXS 125 L	DXS 132 L	DXS 140 L	DXS 150 L	DXS 165 L	DXS 180 L
	Order-No.	1105001	1105076	1105151	1105226	1105301	1105376	1105451	1105526	1105601
DXS	Type	DXS 110 K	DXS 115 K	DXS 120 K	DXS 125 K	DXS 132 K	DXS 140 K	DXS 150 K	DXS 165 K	DXS 180 K
	Order-No.	1105002	1105077	1105152	1105227	1105302	1105377	1105452	1105527	1105602

Ø A	10	13	20	25	32	38	50	66	81
B	G 3/8	G 1/2	G 3/4	G 1	G 1 1/4	G 1 1/2	G 2	G 2 1/2	G 3
D	G 3/8 A	G 1/2 A	G 3/4 A	G 1 A	G 1 1/4 A	G 1 1/2 A	G 2 A	G 2 1/2 A	G 3 1/2 A
E	118	138	150	167	207	226	273	312	377
F	94	110	118	129	156	167	201	225	278
Ø H	5	5	5	6	6	8	8	10	10
Ø J	54	65	75	85	105	115	143	170	222
Ø K	20	25	30	35	48	52	68	84	108
Ø K G7/h8	18	24	30	35	45	50	65	85	105
M	24	29	33	37	45	49	61	70	96
N	42	48	50	59	68	75	92	100	125
O	6	6	8	8	8	10	10	10	12
R	43	48	53	63	73	83	97	114	140
U	19	23	23	28	33	36	43	48	54
SW	17	22	27	30	41	46	60	75	95
Weight (kg)	0,9	1,5	2	2,6	4,9	6,4	11	17,8	35,5

# DX2 + DXS2 DN 10-80

for two way flow of a medium  
designed for non-rotating inner pipe



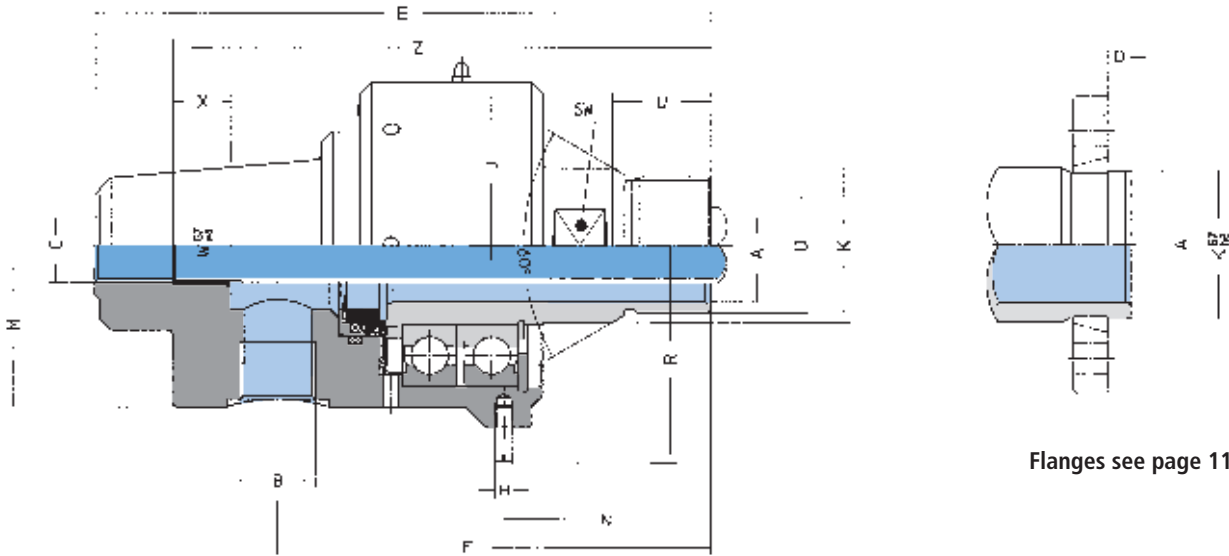
Flanges see page 11

	DN	10	15	20	25	32	40	50	65	80
DX	Type	DX 210 R	DX 215 R	DX 220 R	DX 225 R	DX 232 R	DX 240 R	DX 250 R	DX 265 R	DX 280 R
	Order-No.	1106003	1106053	1106103	1106153	1106203	1106253	1106303	1106353	1106403
	Type	DX 210 L	DX 215 L	DX 220 L	DX 225 L	DX 232 L	DX 240 L	DX 250 L	DX 265 L	DX 280 L
	Order-No.	1106004	1106054	1106104	1106154	1106204	1106254	1106304	1106354	1106404
DXS	Type	DXS 210 R	DXS 215 R	DXS 220 R	DXS 225 R	DXS 232 R	DXS 240 R	DXS 250 R	DXS 265 R	DXS 280 R
	Order-No.	1105004	1105079	1105154	1105229	1105304	1105379	1105454	1105529	1105604
	Type	DXS 210 L	DXS 215 L	DXS 220 L	DXS 225 L	DXS 232 L	DXS 240 L	DXS 250 L	DXS 265 L	DXS 280 L
	Order-No.	1105005	1105080	1105155	1105230	1105305	1105380	1105455	1105530	1105605
	Type	DXS 210 K	DXS 215 K	DXS 220 K	DXS 225 K	DXS 232 K	DXS 240 K	DXS 250 K	DXS 265 K	DXS 280 K
	Order-No.	1105006	1105081	1105156	1105231	1105306	1105381	1105456	1105531	1105606

ØA	10	13	20	25	32	38	50	66	81
B	G <sup>1</sup> / <sub>8</sub>	G <sup>1</sup> / <sub>8</sub>	G <sup>1</sup> / <sub>4</sub>	G <sup>3</sup> / <sub>8</sub>	G <sup>1</sup> / <sub>2</sub>	G <sup>3</sup> / <sub>4</sub>	G 1	G 1 <sup>1</sup> / <sub>2</sub>	G 2
C	G <sup>1</sup> / <sub>8</sub> /M8x0,5	G <sup>1</sup> / <sub>8</sub>	G <sup>1</sup> / <sub>4</sub>	G <sup>3</sup> / <sub>8</sub>	G <sup>1</sup> / <sub>2</sub>	G <sup>3</sup> / <sub>4</sub>	G 1	G 1 <sup>1</sup> / <sub>2</sub>	G 2
D	G <sup>3</sup> / <sub>8</sub> A	G <sup>1</sup> / <sub>2</sub> A	G <sup>3</sup> / <sub>4</sub> A	G 1 A	G 1 <sup>1</sup> / <sub>4</sub> A	G 1 <sup>1</sup> / <sub>2</sub> A	G 2 A	G 2 <sup>1</sup> / <sub>2</sub> A	G 3 <sup>1</sup> / <sub>2</sub> A
E	118	138	150	167	207	226	273	312	377
F	92	106	114	124	149	162	192	215	268
ØH	5	5	5	6	6	8	8	10	10
ØJ	54	65	75	85	105	115	143	170	222
ØK	20	25	30	35	48	52	68	84	108
ØK G7/h8	18	24	30	35	45	50	65	85	105
M	26	31	36	40	50	54	68	80	105
N	42	48	50	59	68	75	92	100	125
O	6	6	8	8	8	10	10	10	12
R	43	48	53	63	73	83	97	114	140
U	19	23	23	28	33	36	43	48	54
V	20	25	30	35	45	50	60	70	80
SW	17	22	27	30	41	46	60	75	95
Weight (kg)	0,8	1,4	1,9	2,5	4,8	6,2	10,8	17,5	35

# DXR2 + DXSR2 DN 15-80

for two way flow of a medium  
designed for rotating inner pipe



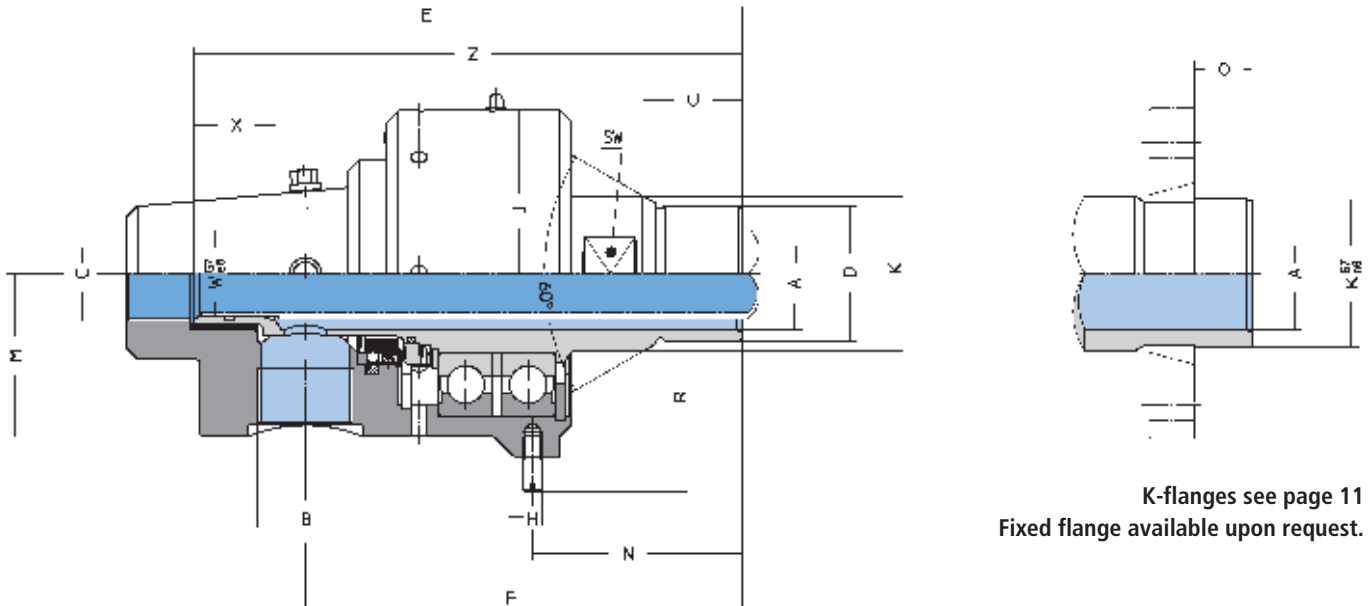
Flanges see page 11

	DN	15	20	25	32	40	50	65	80
DX	Type	DXR 215 R	DXR 220 R	DXR 225 R	DXR 232 R	DXR 240 R	DXR 250 R	DXR 265 R	DXR 280 R
	Order-No.	1106056	1106106	1106156	1106206	1106256	1106306	1106356	1106406
	Type	DXR 215 L	DXR 220 L	DXR 225 L	DXR 232 L	DXR 240 L	DXR 250 L	DXR 265 L	DXR 280 L
	Order-No.	1106057	1106107	1106157	1106207	1106257	1106307	1106357	1106407
	Type	DXR 215 K	DXR 220 K	DXR 225 K	DXR 232 K	DXR 240 K	DXR 250 K	DXR 265 K	DXR 280 K
	Order-No.	1106058	1106108	1106158	1106208	1106258	1106308	1106358	1106408
DXS	Type	DXSR 215 R	DXSR 220 R	DXSR 225 R	DXSR 232 R	DXSR 240 R	DXSR 250 R	DXSR 265 R	DXSR 280 R
	Order-No.	1105083	1105158	1105233	1105308	1105383	1105458	1105533	1105608
	Type	DXSR 215 L	DXSR 220 L	DXSR 225 L	DXSR 232 L	DXSR 240 L	DXSR 250 L	DXSR 265 L	DXSR 280 L
	Order-No.	1105084	1105159	1105234	1105309	1105384	1105459	1105534	1105609
	Type	DXSR 215 K	DXSR 220 K	DXSR 225 K	DXSR 232 K	DXSR 240 K	DXSR 250 K	DXSR 265 K	DXSR 280 K
	Order-No.	1105085	1105160	1105235	1105310	1105385	1105460	1105535	1105610

ØA	13	20	25	32	38	50	66	81
B	G 1/8	G 1/4	G 3/8	G 1/2	G 3/4	G 1	G 1 1/2	G 2
C	G 1/8	G 1/4	G 3/8	G 1/2	G 3/4	G 1	G 1 1/2	G 2
D	G 1/2 A	G 3/4 A	G 1 A	G 1 1/4 A	G 1 1/2 A	G 2 A	G 2 1/2 A	G 3 1/2 A
E	138	150	167	207	226	273	312	377
F	106	114	124	149	162	192	215	268
ØH	5	5	6	6	8	8	10	10
ØJ	65	75	85	105	115	143	170	222
ØK	25	30	35	48	52	68	84	108
ØK G7/h8	24	30	35	45	50	65	85	105
M	31	36	40	50	54	68	80	105
N	48	50	59	68	75	92	100	125
O	6	8	8	8	10	10	10	12
R	48	53	63	73	83	97	114	140
U	23	23	28	33	36	43	48	54
ØW G7/e8	10	12	16	20	25	31,8	45	60
X	15	15	15	15	25	25	30	40
Z	128	135	147	177	201	238	272	337
SW	22	27	30	41	46	60	75	95
Weight (kg)	1,5	2,1	2,8	5,1	6,5	11,5	18,2	36,5

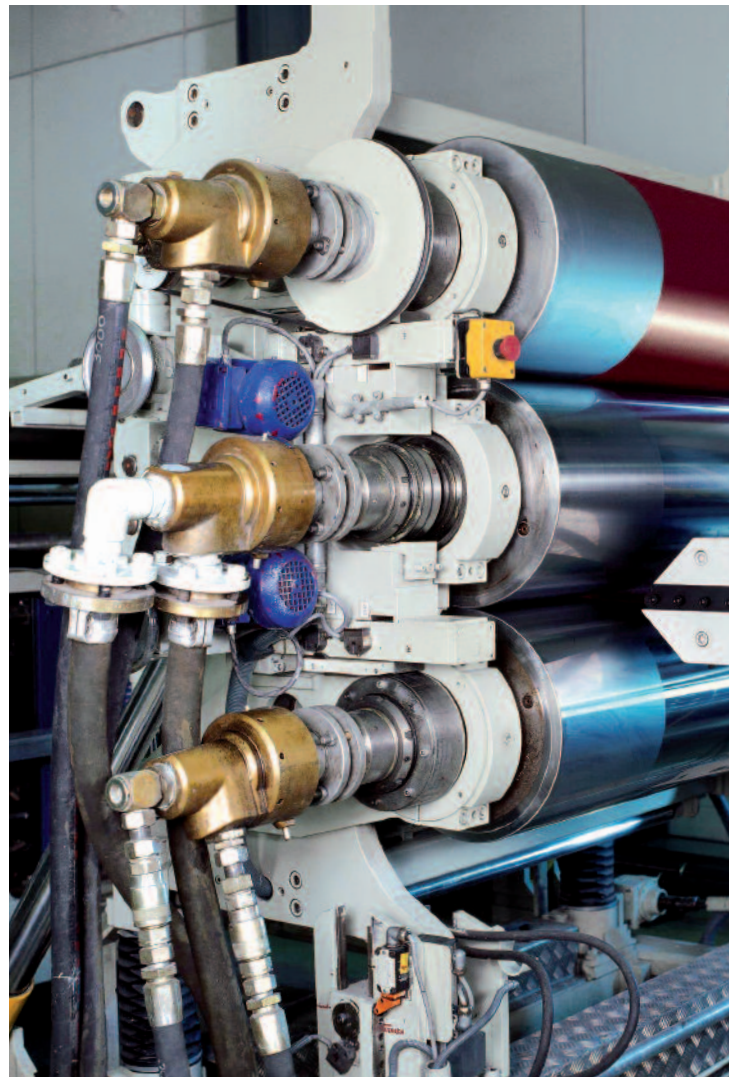
# DXSB2 DN 50-80

for two way flow of a medium  
designed for rotating inner pipe



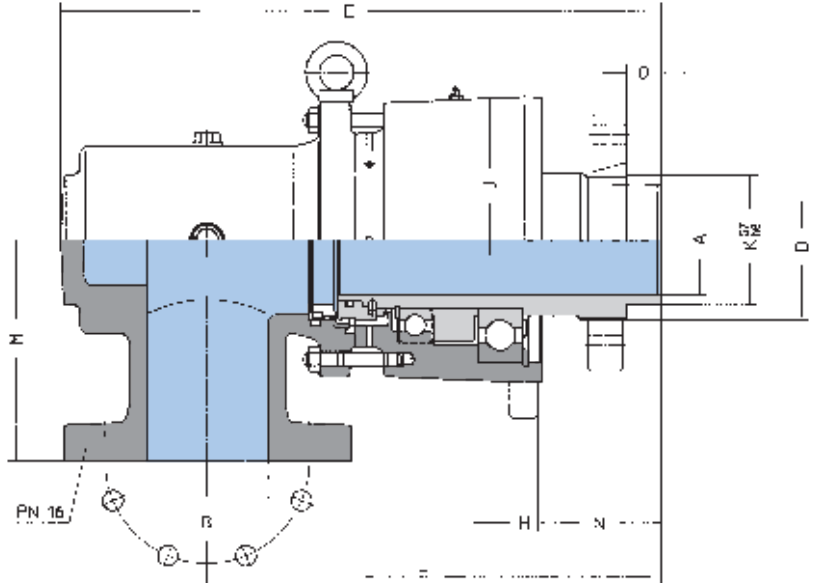
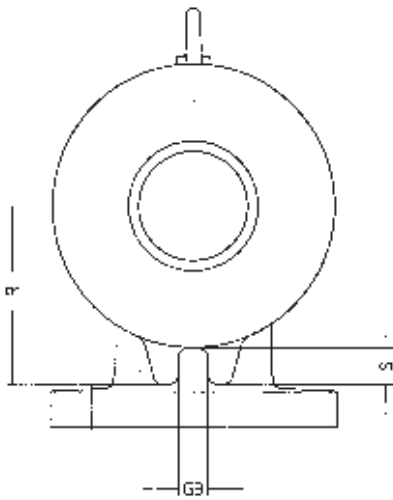
K-flanges see page 11  
Fixed flange available upon request.

DN	50	65	80
Type	DXSB 250 R	DXSB 265 R	DXSB 280 R
Order-No.	1105466	1105541	1105616
Type	DXSB 250 L	DXSB 265 L	DXSB 280 L
Order-No.	1105467	1105542	1105617
Type	DXSB 250 K	DXSB 265 K	DXSB 280 K
Order-No.	1105468	1105543	1105618
$\varnothing$ A	49	63	78
B	G 1 1/4	G 1 1/2	G 2
C	G 1 1/4	G 1 1/2	G 2
D	G 2 A	G 2 1/2 A	G 3 1/2 A
E	271	312	377
F	192	215	268
$\varnothing$ H	8	10	10
$\varnothing$ J	143	170	222
$\varnothing$ K	68	84	108
$\varnothing$ K G7/h8	65	85	105
M	65	80	105
N	92	100	125
O	25	25	30
R	97	114	140
S	-	-	-
U	43	48	54
$\varnothing$ W G7/e8	37	45	60
X	35	47	40
Z	241	274	334
GB	-	-	-
SW	60	75	95
Weight (kg)	12	19	40



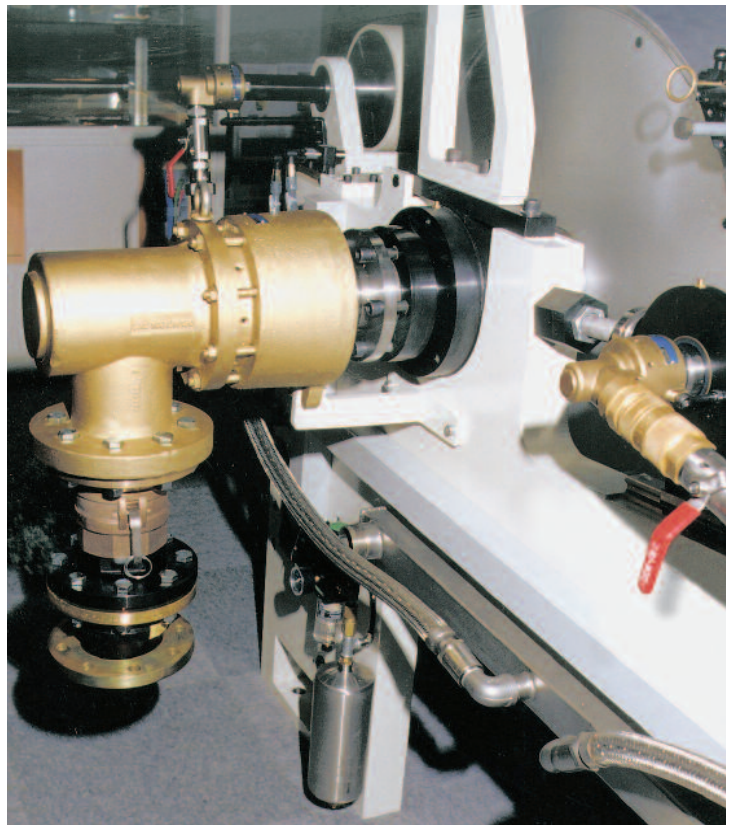
# DXS1 DN 100-150

for one way flow of a medium



K-flanges see page 11  
Fixed flange available upon request.

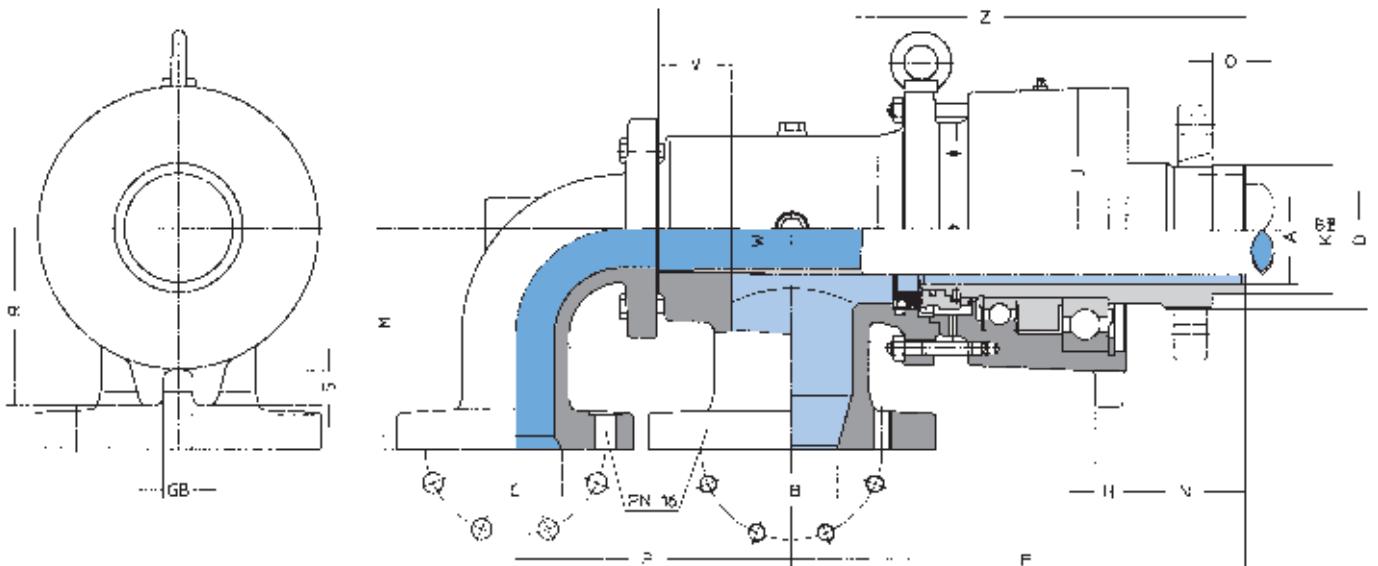
DN	100	125	150
Type	DXS 1100 K-200	DXS 1125 K-200	DXS 1150 K-200
Order-No.	1105677-200	1105752-200	1105827-200
Type	DXS 1100 F-200	DXS 1125 F-200	DXS 1150 F-200
Order-No.	1105678-200	1105753-200	1105828-200
Ø A	96	118	150
B (DIN 2633)	100	125	150
Ø D	M 140 x 2	M 165 x 3	M 205 x 3
E	530	603,5	694
F	400	460	530
H	25	30	15
Ø J	251	302,5	364
Ø K G7/h8	114	150	180
M	195	230	260
N	108,5	129	121,5
O	30	35	40
R	157	187	216,5
S	31,5	35,5	35
GB	26	30	30
Weight (kg)	70	124	198





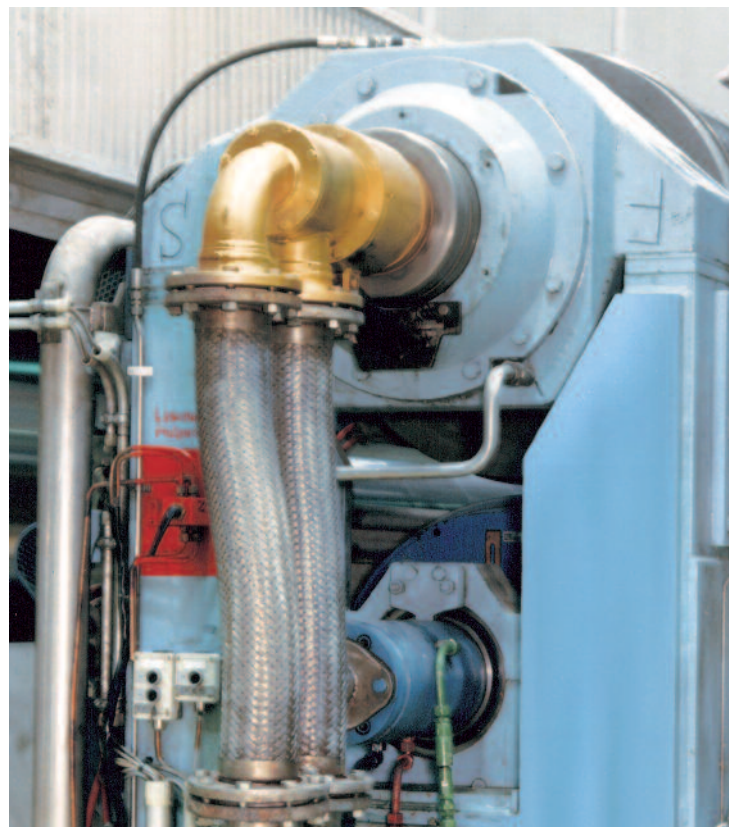
# DXS2 DN 100-150

for two way flow of a medium  
designed for non-rotating inner pipe



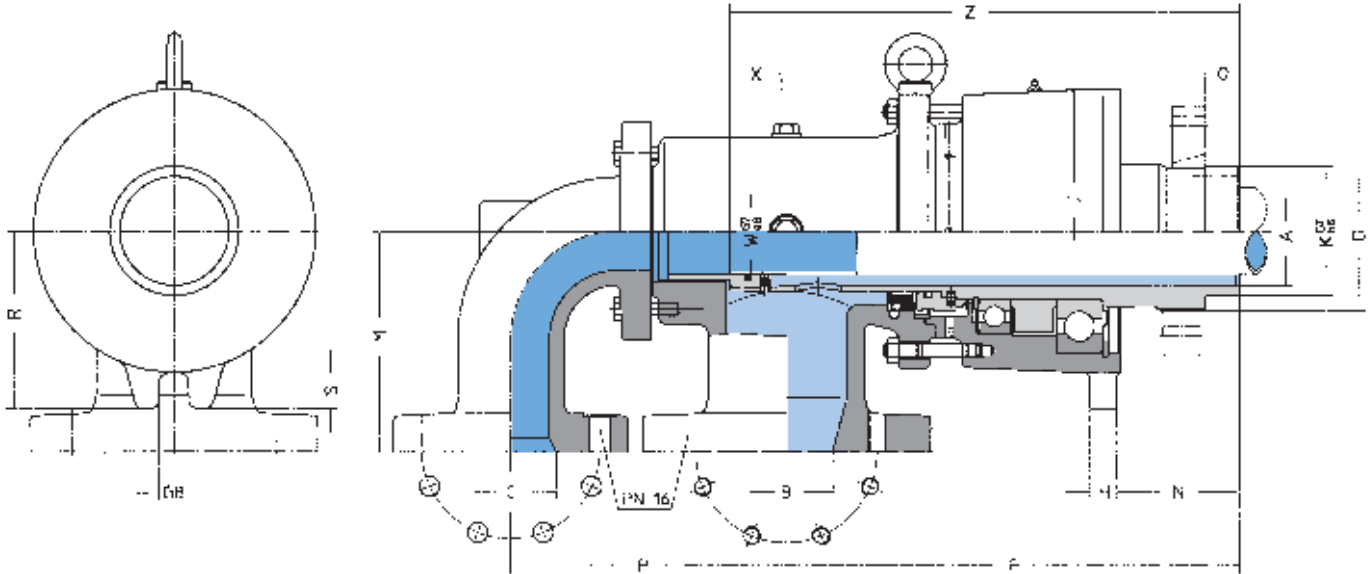
K-flanges see page 11  
Fixed flange available upon request.

DN	100	125	150
Type	DXS 2100 K-200	DXS 2125 K-200	DXS 2150 K-200
Order-No.	1105681-200	1105756-200	1105831-200
Type	DXS 2100 F-200	DXS 2125 F-200	DXS 2150 F-200
Order-No.	1105682-200	1105757-200	1105832-200
Ø A	96	118	150
B (DIN 2633)	80	100	125
C (DIN 2633)	80	100	125
Ø D	M 140 x 2	M 165 x 3	M 205 x 3
F	400	460	530
H	25	30	15
Ø J	251	302,5	364
Ø K G7/h8	114	150	180
M	195	230	260
N	108,5	129	121,5
O	30	35	40
P	245	285	325
R	157	187	216,5
S	31,5	35,5	35
V	65	70	68
Ø W	G 2 1/2	G 3	G 4
Z	518	595	676
GB	26	30	30
Weight (kg)	85	135	230



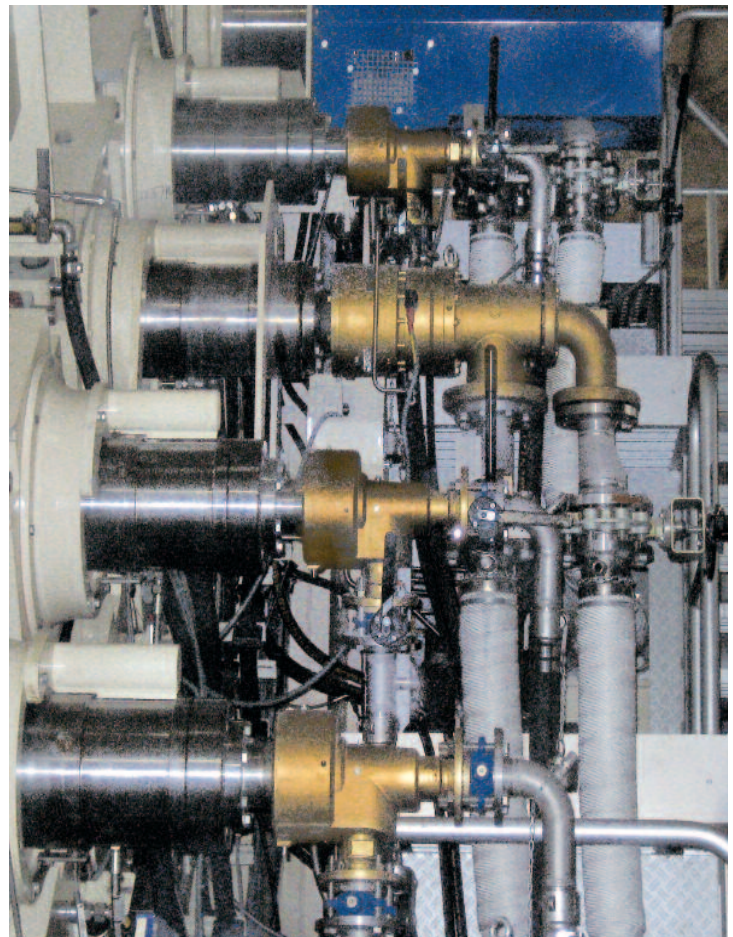
# DXSB2 DN 100-150

for two way flow of a medium  
designed for rotating inner pipe

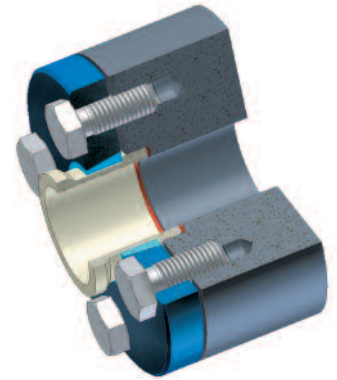
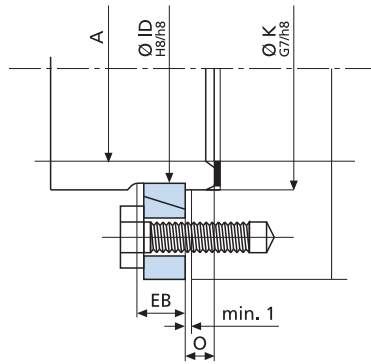
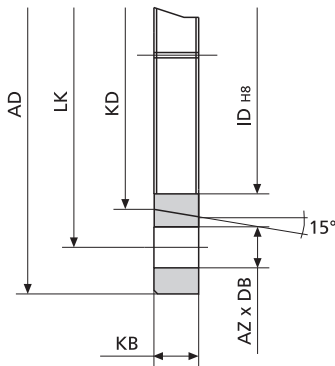


K-flanges see page 11  
Fixed flange available upon request.

DN	100	125	150
Type	DXSB 2100 K-200	DXSB 2125 K-200	DXSB 2150 K-200
Order-No.	1105693-200	1105766-200	1105841-200
Type	DXSB 2100 F-200	DXSB 2125 F-200	DXSB 2150 F-200
Order-No.	1105694-200	1105767-200	1105842-200
Ø A	96	118	150
B (DIN 2633)	80	100	125
C (DIN 2633)	80	100	125
Ø D	M 140 x 2	M 165 x 3	M 205 x 3
F	400	460	530
H	25	30	15
Ø J	251	302,5	364
Ø K G7/h8	114	150	180
M	195	230	260
N	108,5	129	121,5
O	30	35	40
P	245	285	325
R	157	187	216,5
S	31,5	35,5	35
Ø W G7/e8	75	88	110
X	45	50	60
Z	450	525	605
GB	26	30	30
Weight (kg)	92	143	245



# Journal Flanges for K Rotor Connection



DN	K-flange	Order-No.	Inner ring	Order-No.	Flat pack. Order-No.	Ø A	Ø AD	Ø LK	AZ x Ø DB	Ø KD	Ø ID H8/h8	KB	Ø K G7/h8	O	EB
10	KF 10-0	1190430	IR 10-0	1190400	3512230	10	55	40	4x7	20	17	10	18	6	11
15	KF 15-0	1190431	IR 15-0	1190401	3512231	13	70	50	4x9	26	22	10	24	6	11
20	KF 20-0	1190432	IR 20-0	1190402	3512232	20	75	55	4x9	32	28	12	30	8	13
25	KF 25-0	1190433	IR 25-0	1190403	3512233	25	80	60	4x9	37	33	12	35	8	13
32	KF 32-0	1190434	IR 32-0	1190404	3512234	32	100	75	4x11	48	43	12	45	8	13
32	KF 32-500	1190434-500	IR 32-500	1190404-500	3512234	32	115	90	4x11	48	43	15	45	15	16
40	KF 40-0	1190435	IR 40-0	1190405	3512235	38	105	80	4x11	53	48	15	50	10	16
40	KF 40-500	1190435-500	IR 40-500	1190405-500	3512235	38	120	95	4x11	53	48	18	50	20	20
50	KF 50-0	1190436	IR 50-0	1190406	3512236	50	130	100	4x14	69	63	15	65	10	16
50	KF 50-500	1190436-500	IR 50-500	1190406-500	3512236	50	145	115	4x14	69	63	20	65	25	22
65	KF 65-0	1190437	IR 65-0	1190407	3512237	66	150	120	4x14	89	82	15	85	10	16
65	KF 65-500	1190437-500	IR 65-500	1190407-500	3512237	66	165	135	4x14	89	82	25	85	25	28
65	KF 65-37	1190437-037	IR 65-0	1190407	3512237	66	150	120	6x14	89	82	15	85	25	28
75	KF 75-0	1190440	IR 75-0	1190420	1190191-058	67	203	171,5	5x17,5	89	84,2	31	87,29	22,2	
80	KF 80-0	1190438	IR 80-0	1190408	3512238	81	180	145	4x18	109	102	18	105	12	20
80	KF 80-500	1190438-500	IR 80-500	1190408-500	3512238	81	205	170	4x18	109	102	30	105	30	34
100	KF 100-0	1190439	IR 100-0	1190409	3512239	98	195	160	6x18	120	110	20	114	12	22
100	KF 100-500	1190439-500	IR 100-500	1190409-500	3512239	98	220	185	6x18	120	110	30	114	30	34
125	KF 125-0	1190450	IR 125-0	1190410	1190025	120	225	190	6x18	147	137	22	142	20	25
125	KF 125-500	1190450-500	IR 125-500	1190410-500	1190035	120	260	225	8x18	155	145	35	150	35	39
150	KF 150-0	1190451	IR 150-0	1190411	1190026	145	255	220	8x18	178	165	25	170	25	28
150	KF 150-500	1190451-500	IR 150-500	1190411-500	1190036	145	300	260	8x18	185	175	40	180	40	44
200	KF 200-0	1190452	IR 200-0	1190412	1190027	195	310	275	8x18	232	220	28	225	30	32
200	KF 200-500	1190452-500	IR 200-500	1190412-500	1190037	195	360	320	8x18	235	224	45	230	45	49
250	KF 250-0	1190453	IR 250-0	1190413	1190028	240	390	350	8x23	290	273	37	280	35	40
250	KF 250-500	1190453-500	IR 250-500	1190413-500	1190038	240	435	390	8x23	295	278	50	285	50	54
300	KF 300-0	1190454	IR 300-0	1190414	1190029	295	470	410	16x23	350	332	42	340	40	45

## Versions KF...-0 and IR...-0:

DX/DXS	DN 10 – 80
DXSB	DN 50 – 80
DP	DN 40 – 100
H/HW	DN 15 – 100
HWB/A) <sup>1</sup>	DN 32 – 100
M	DN 15 – 100
DA	DN 50 – 300

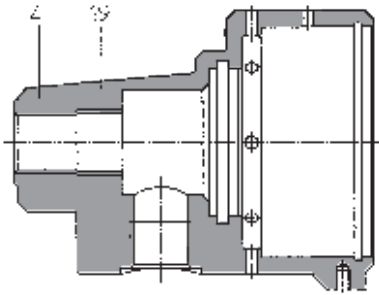
## Versions KF...-500 and IR...-500:

DXSB	DN 100 – 150
HWA	DN 100 – 300
DQ	DN 25 – 150

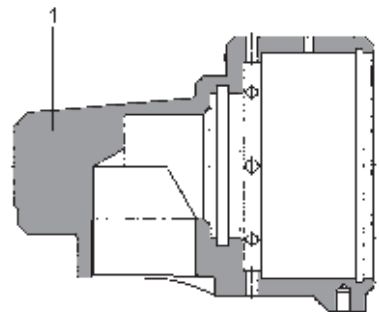
It is important to evenly tighten the screws.

<sup>1</sup> KF65-0 only up to 210°C, 20 bar or 300°C, 10 bar.  
For higher data use KF 65-37.

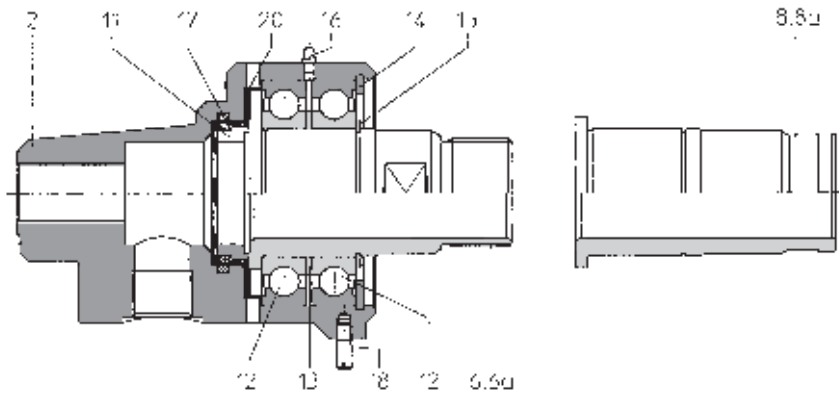
# Spare parts for types DX1, DX2, DXR2 + DXS1, DXS2, DXSR2



DXR 2... R/L/K  
DXSR 2... R/L/K



DX 1... R/L/K  
DXS 1... R/L/K



DX 2... R/L/K  
DXS 2... R/L/K

DN	10	15	20	25	32	40	50	65	80
1 Housing 1	1106010	1106060	1106110	1106160	1106210	1106260	1106310	1106360	1106410
2 Housing 2	1106011	1106061	1106111	1106161	1106211	1106261	1106311	1106361	1106411
4 Housing R2	-	1106062	1106112	1106162	1106212	1106262	1106312	1106362	1106412
6 Rotor R	1106015	1106065	1106115	1106165	1106215	1106265	1106315	1106365	1106415
6a Rotor SR	1106015-023	1106065-023	1106115-023	1106165-023	1106215-023	1106265-023	1106315-023	1106365-023	1106415-023
7 Rotor L	1106016	1106066	1106116	1106166	1106216	1106266	1106316	1106366	1106416
7a Rotor SL	1106016-023	1106066-023	1106116-023	1106166-023	1106216-023	1106266-023	1106316-023	1106366-023	1106416-023
8 Rotor K	1106017	1106067	1106117	1106167	1106217	1106267	1106317	1106367	1106417
8a Rotor SK	1106017-022	1106067-022	1106117-022	1106167-022	1106217-022	1106267-022	1106317-022	1106367-022	1106417-022
11 Mechanical seal	1501010-001	1501015-001	1501020-001	1501025-001	1501035-001	1501040-001	1501055-001	1501070-001	1501085-001
12 Ball bearing	3510200	3510201	3510202	3510203	3510204	3510205	3510206	3510207	3510208
13 Support disk	3510215	3510216	3510217	3510218	3510219	3510220	3510221	3510222	3510223
14 Locking ring	3501220	3501232	3501222	3501223	3501221	3501206	3501207	3501237	3501238
15 Locking ring	3501000	3501001	3501002	3501003	3501014	3501023	3501024	3501026	3501006
16 Lubrication nipple	3500918	3500918	3500918	3500918	3500918	3500918	3500918	3500918	3500918
17 O ring	3511875	3511876	3511877	3511878	3511879	3511880	3511881	3511882	3511883
18 Set screw	3500675	3500675	3500675	3500676	3500676	3500677	3500677	3500678	3500678
19 Sliding bearing	-	3510502	3510504	3510506	3510501	3510509	3510512	3510514	3510523
20 Support ring	-	-	-	-	-	-	3509066	1106373-381	1106423-390

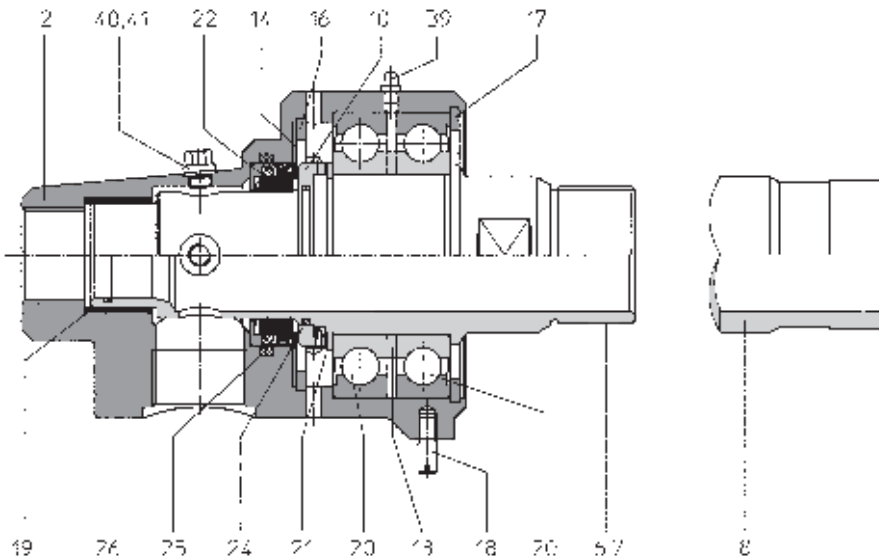
Rotary joints series DX have standard rotors, items no. 6, 7 and 8.

Rotary joints series DXS have coated rotors, items no. 6a, 7a and 8a.

Rotors of series DXS can be installed in series DX rotary joints to obtain a longer service life.

Please specify exact type designation when inquiring or placing orders.

# Spare parts for types DXSB 2 – DN 50-80

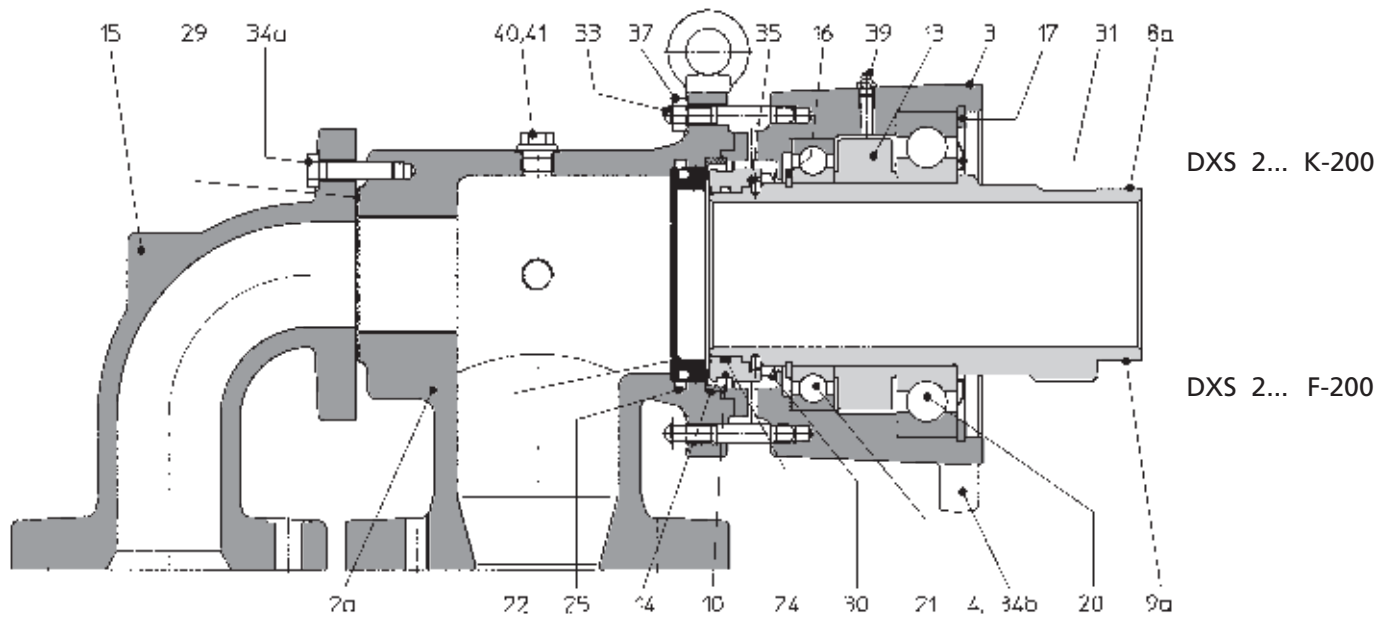
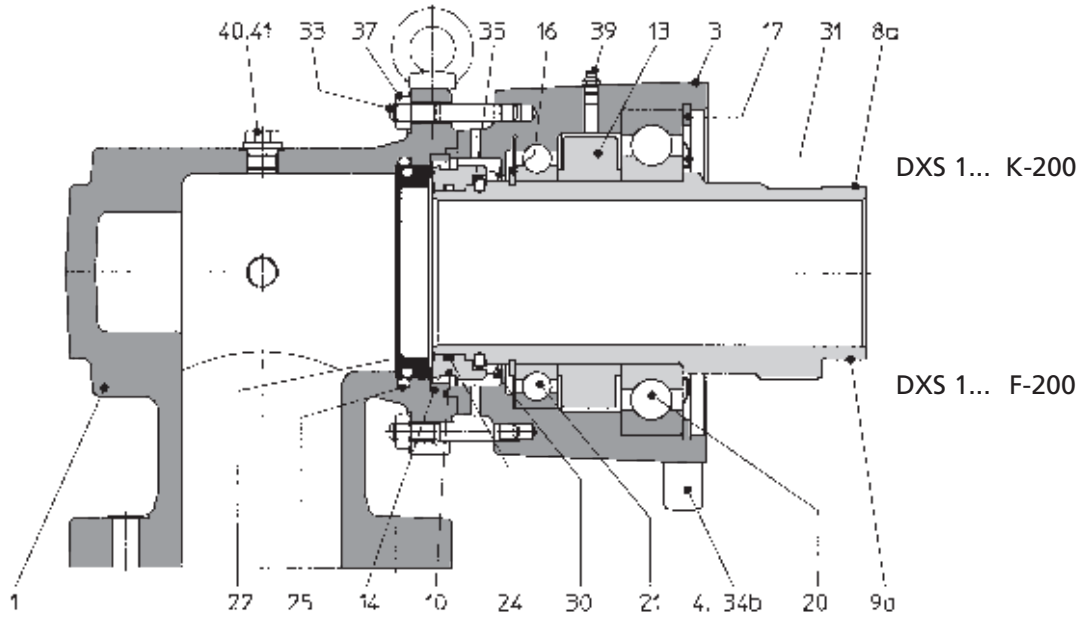


DN	50	65	80
2 Housing	1106312-273	1106362-248	1106412-273
6 Rotor R	1105486-236	1105561-275	1105636-275
7 Rotor L	1105487-236	1105562-275	1105637-275
8 Rotor K	1105488-276	1105563-247	1105638-276
10 Counter-running ring	1105502-278	1105577-246	1105652-278
13 Support disk	3510221	3510222	3510223
14 Holding disk	1106323-051	1106373-245	1106423-264
16 Locking ring	3501235	3500873	3500693
17 Locking ring	3501207	3501237	3501238
18 Set screw	3500677	3500678	3500678
19 Sliding bearing	3510514	3510523	3510525
20 Ball bearing	3510206	3510207	3510208
21 Locking ring	3501024	3501026	3501006
22 Mechanical seal	1501055-001	1501070-001	1501085-001
24 O ring for item 10	3511752	3511720	3511894
25 O ring for item 22	3511881	3511882	3511883
26 O ring for rotor	3511947	3511930	3511946
39 Lubrication nipple	3500918	3500918	3500918
40 Locking screw	3500660	3500660	3500660
41 Sealing ring	3502130-001	3502130-001	3502130-001

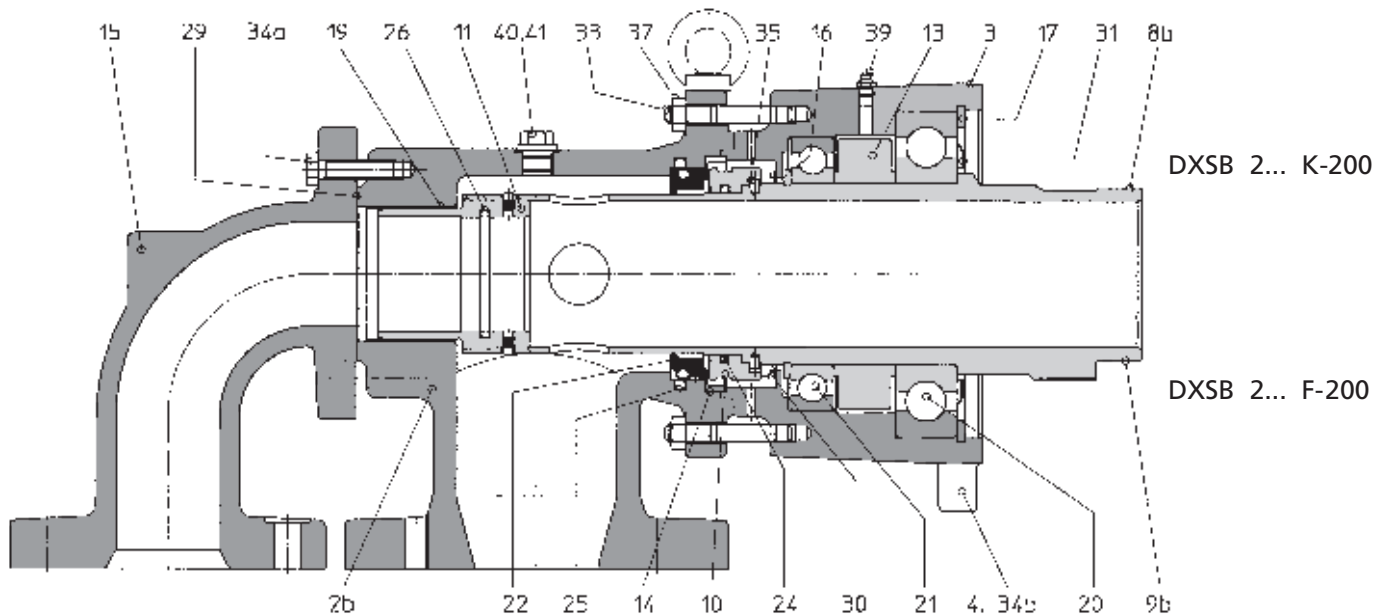


Please specify exact type designation when inquiring or placing orders.

# Spare parts for types DXS1 + DXS2 – DN 100-150



# Spare parts for types DXSB2 – DN 100-150



DN	100	125	150
1 Housing 1	1105700-393	1105775-281	1105850-134
2a Housing 2	1105701-522	1105776-419	1105851-238
2b Housing B2	1105701-390	1105776-285	1105851-133
3 Bearing housing	1105706-388	1105781-284	1105856-135
4 Locking bracket			1105893
8a Rotor K 1, 2	1105717-383	1105792-279	1105867-138
8b Rotor K B2	1105713-382	1105788-278	1105863-139
9a Rotor F 1, 2	1105718-523	1105793-420	1105868-239
9b Rotor F B2	1105714-524	1105789-421	1105864-240
10 Counter-running ring	1105727-385	1105802-274	1105877-130
11 Compl. rotor bushing	1105721-387	1105796-277	1105871-142
13 Distance ring	1105732-384	1105807-275	1105882-140
14 Holding disk	1105733-386	1105808-276	1105883-141
15 Elbow	1105735-392	1105810-283	1110739
16 Locking ring 1	3501007	3501029	3501028
17 Locking ring 2	3501240	3501243	3501242
19 Sliding bearing	3510536	3510493-001	3510495-001
20 Ball bearing 1	3510209	3510210	3510211
21 Ball bearing 2	3510015-011	3510083	3510018-011
22 Mechanical seal	1501110-001	1501130-001	1501170-001
24 O ring for item 10	3511770	3511740	3511743
25 O ring for item 22	3511693	3511899	3511893
26 O ring for item 11	3511825	3511826	3511692
29 Flat packing	3512092	3512271	3512255
30 Shaft seal	3511984	3511987	3511747
31 Nilos ring	3509024	3509028	3509026
33 Stud bolt	3500263-007	3500271-007	3500271-007

DN	100	125	150
34a Hex screw	3500159-007	3500166	3500204-007
34b Hex screw			3500084
35 Cylinder pin	3500943-001	3500943-001	3500944-001
37 Hex nut	3500285-007	3500287-007	3500287-007
39 Lubrication nipple	3500913	3500913	3500913
40 Locking screw	3500655	3500655-007	3500655-007
41 Sealing ring	3502115-001	3502115-001	3502115-001



Please specify exact type designation when inquiring or placing orders.



**Christian Maier GmbH & Co. KG  
Maschinenfabrik**

Wuerzburger Straße 67-69  
D-89520 Heidenheim

P.O.Box 1609  
D-89506 Heidenheim

☎ +49 (0) 73 21 / 317-0

✉ +49 (0) 73 21 / 317-139 (Export)

☎ 0 800 / 7 51 82 50

✉ +49 (0) 73 21 / 317-239

vkd@maier-heidenheim.de  
[www.maier-heidenheim.de](http://www.maier-heidenheim.de)

**Branch Offices & Service Stations:**

**Maier Italia Srl**

Via Enrico Toti 3  
I-21040 Gerenzano (VA)

☎ +39-02-96 24 82 88

✉ +39-02-96 36 96 95

info@maier-italia.com  
[www.maier-italia.com](http://www.maier-italia.com)

---

**Maier America LLC**

6669 Peachtree Industrial Blvd., Suite L/M  
Norcross, GA 30092 - USA

☎ +1-770-409 0022

✉ +1-770-409 0069

info@maieramerica.com  
[www.maieramerica.com](http://www.maieramerica.com)