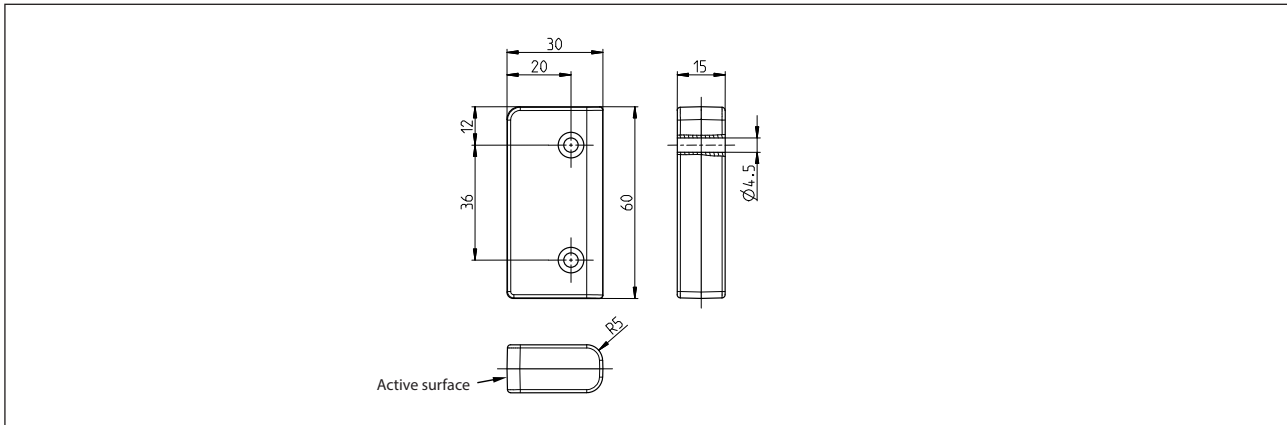


## Safety switch

### Series CSMS - ASI

Description **ASI-CSMS-S**

Article number **6073200061**

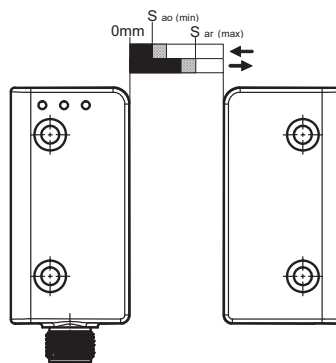


#### Mechanical Data

Enclosure	Macromelt
Ambient temperature	-20 °C bis +70 °C (in operation)
Mounting	2 holes Ø 4,5 (for M4 screws)
Tightening torque (max.)	1 Nm
Type of protection	IP67 acc. to IEC/EN 60529

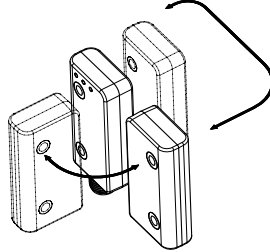
#### Operating Distance

		min.	typ.	max.
Rated operating distance	$S_n$		13 mm	
Assured operating distance - on	$S_{ao}$	10 mm		
Hysteresis			0,5mm	
Assured operating distance – off	$S_{ar}$			19 mm



Repeat accuracy	0,1 x S (within the limits of Smin and Smax)
Frequency of actuation	1Hz
Frequency of transpondering	6,78MHz

**Actuation**



**Standards**

VDE 0660 T100, DIN EN 60947-1, IEC 60947-1  
VDE 0660 T200, DIN EN 60947-5-1, IEC 60947-5-1  
EN 50295, EN ISO 13849-1, EN 300330

**EU-Conformity**

acc. to EMC Directive  
R&TTE Directive