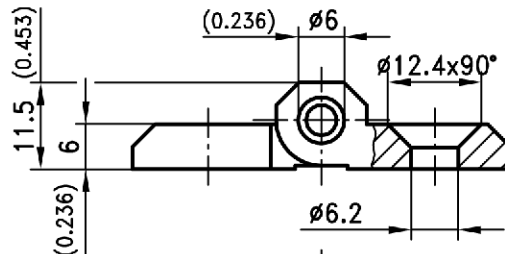
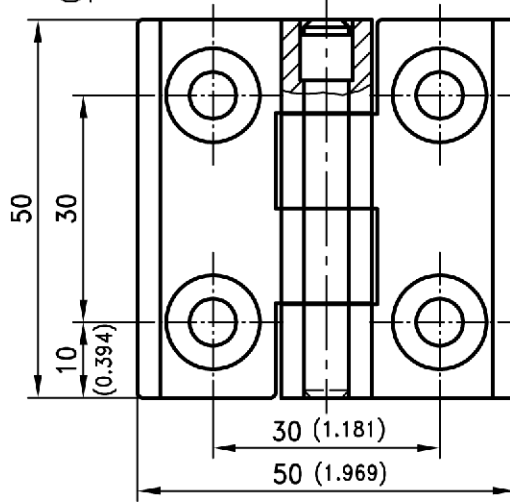
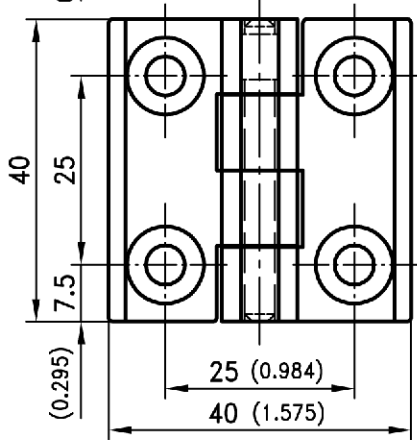


Part No. 218-9301



Part No. 218-9302

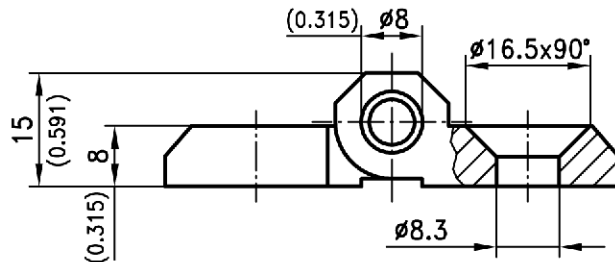


Screw-on Hinge for HD-application.

- RH or LH application.
- Opening angle up to 270°.
- For countersunk screws M5, M6 or M8 to DIN 7991.
- The surface of the hinge is satin polished.

Material:

- complete AISI 316



Part No. 218-9303

